



HANDHELD Digital Microscope **PRO**



INSTRUCTION MANUAL
MODEL #44308

1. INTRODUCTION

Thank you for purchasing the Celestron Handheld Digital Microscope Pro with a 5MP sensor and professional stand. Your microscope is a precision optical instrument, made of the highest quality materials to ensure durability and long life. It is designed to give you a lifetime of pleasure with a minimal amount of maintenance.

Before attempting to use your microscope, please read through the instructions and reference the diagrams below. Familiarizing yourself with the many features of the Handheld Digital Microscope Pro will go a long way to making your experience an enjoyable one.

The Handheld Digital Microscope Pro provides low powers from 20x up to 200x and connects to your Macintosh or Windows PC via USB 2.0. (NOTE: Depending on the size of your monitor, you may be able to attain 800x magnification) This microscope is a low magnification power microscope, mainly suited for examining specimens like coins, stamps, rocks, electronics, insects, and other 3D objects. Specimens on slides can be viewed, but this microscope is not ideal for this purpose. You can see some of our biological microscopes more suited to this type of viewing at www.celestron.com.

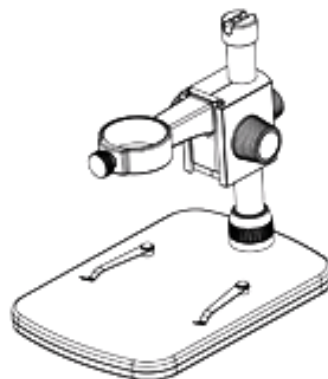
The Celestron Handheld Digital Microscope Pro does not use an eyepiece like a traditional microscope. Instead, the camera sensor “sees” the specimen with 10x magnification, and the image is displayed on the computer screen. This makes viewing fun, cuts down on eye and neck strain, and allows for easy sharing with others. You can hold the microscope in your hand while observing large surfaces away from a normal lab setting, or use the included professional stand for more precise, hands-free viewing. Recording still images and video is a snap. You can save, transfer, and share your image files quickly and easily with the included Celestron Micro Capture Pro software.

Take some time to read the simple care, maintenance tips in this manual to ensure that your Handheld Digital Microscope Pro provides you with years of quality performance.

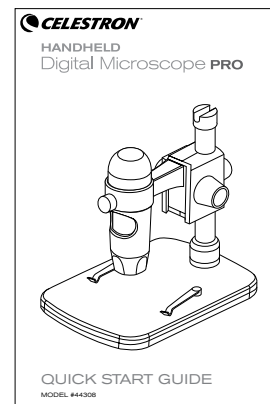
A. IN THE BOX



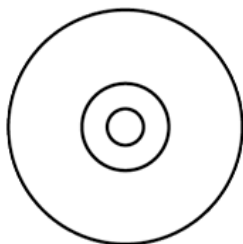
Microscope (1)



Professional Stand (1)



Quick Setup Guide (1)



CD (1)

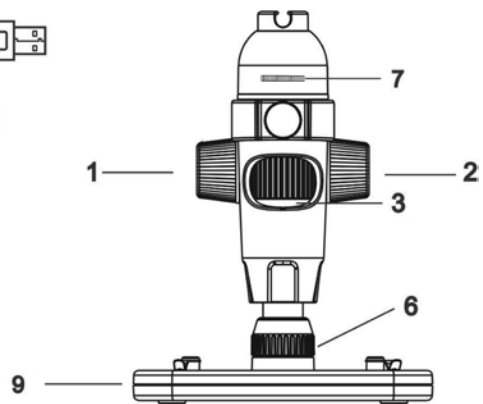
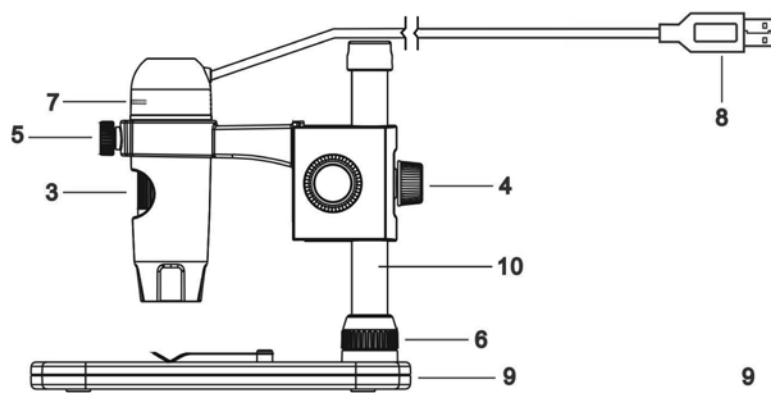
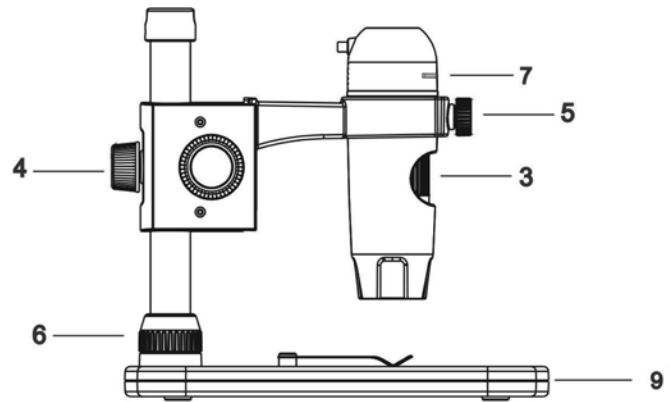


Calibration Ruler (1)

B. PARTS

NO. FUNCTION

1.	Lock Wheel
2.	Height Adjustment Wheel
3.	Focus Wheel
4.	Height Adjustment Lock Nut
5.	Microscope Holder Lock Nut
6.	Shaft Connection Lock Collar
7.	Illuminator Adjustment Wheel
8.	USB Plug
9.	Stage Base
10.	Support Shaft



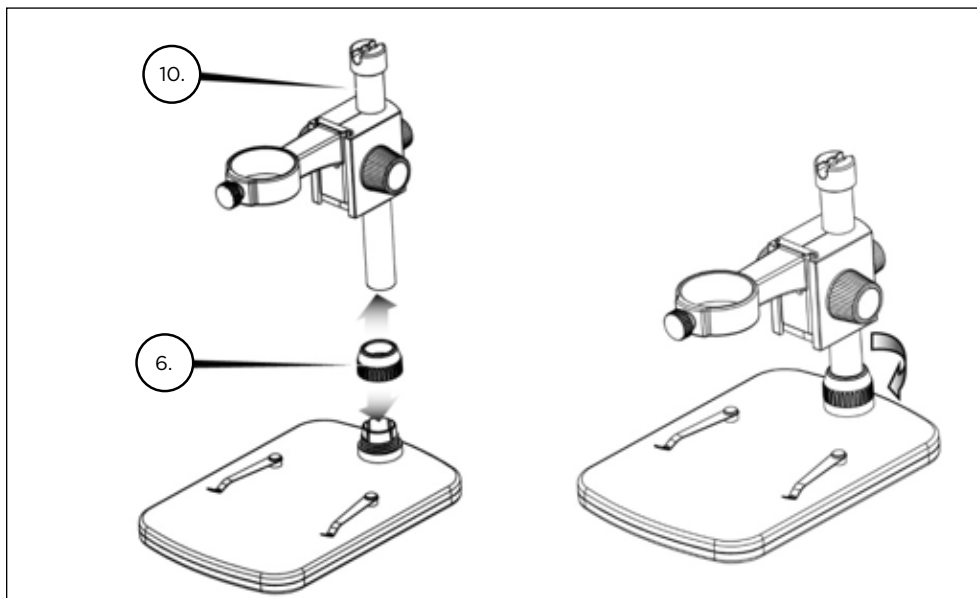
C. SPECIFICATIONS

SKU	44308
Camera sensor size	5MP (mega pixels)
Stand	Professional stand with adjustable height
Lens	5 element IR cut , high quality GLASS /EFL(Equivalent Focal Length): 15.8 mm /FOV: 13.0"
Focuser range	10 mm to infinity
Illuminator	Upper ring- 8 bright white adjustable LEDs
Magnification	20x to 200x
Shutter trigger	In software
Still Image resolution	2592x1944 (5MP), 2320x1744 (4MP), 2048x1536 (3MP), 1920x1080 (2MP), 1280x1024 (1.3MP)
Video resolution	Min. 1280x1024 @15fps; Max. 2592x1944 @10fps
Computer interface	2.0 USB
Software	Celestron Micro Capture Pro (with measuring and note taking features)
Operating systems supported	Windows: Windows 7/8/10 Mac: OSX 10.12 (Sierra)
Software languages	(12) English, German, French, Spanish, Russian, Italian, Portuguese, Dutch, Polish, Japanese, Korean and Chinese
Minimum system requirements	512MB RAM/ 64M Video Memory/ Open USB port/ CD-ROM Drive
Dimensions	Microscope: 110x35 mm (4.33"x1.38") Stand: 175x140x110 mm (6.90"x5.51"x4.33")
Weight	2 lbs. (907 grams) (including base and packaging)

2. SETUP

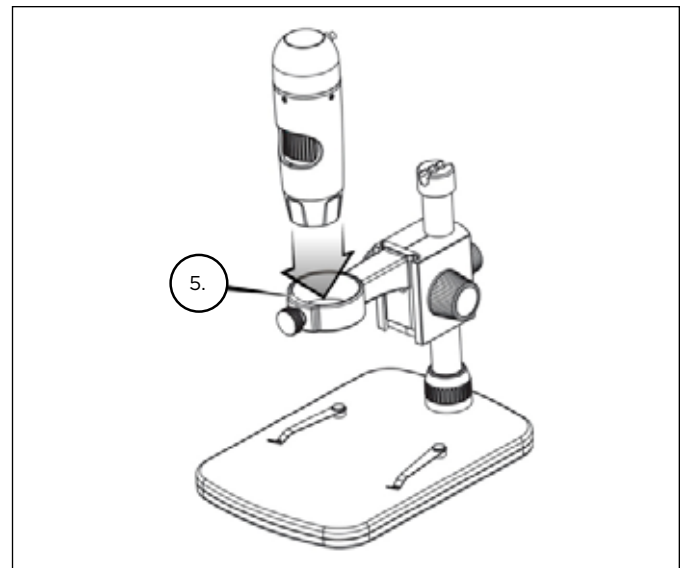
A. ASSEMBLE THE MICROSCOPE STAND

- + Carefully remove all components from the box.
- + Slide the Shaft Connection Lock Collar (6) onto the Support Shaft (10).
- + Attach the Shaft Connection Lock Collar (6) to base threads and tighten.



B. ATTACH MICROSCOPE

- + Insert the microscope in the Microscope Holder and tighten the Lock Nut (5) to secure it in place.



C. INSTALL SOFTWARE—WINDOWS

- + Insert the Micro Capture Plus Pro into CD-ROM Drive. The following interface will display automatically:
- + Click the "Install Capture Pro" button and follow the Setup Wizard as it guides you through the installation.

D. INSTALL SOFTWARE—MACINTOSH

- + Open the MAC folder on the included CD and install following on-screen prompts.
- + To begin recording video, click on the Capture menu and scroll down to Video. Repeat to stop recording.
- + Plug in the Handheld Digital Microscope Pro and open the Celestron Micro Capture Pro software. Your microscope is now ready to use.

NOTE: The software interface is the same as the PC version, but will look slightly different.



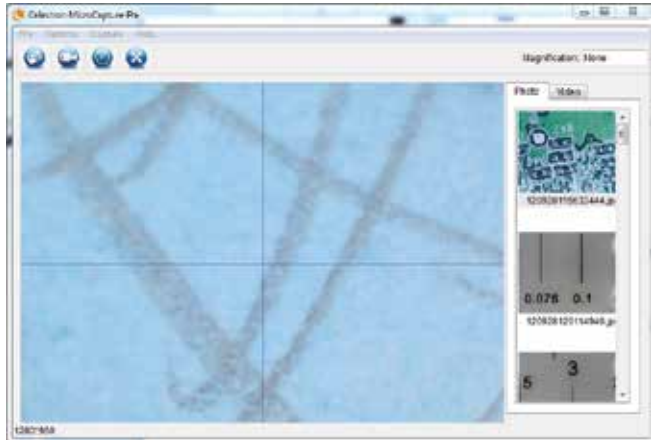
3. USING YOUR MICROSCOPE

A. CONNECTING

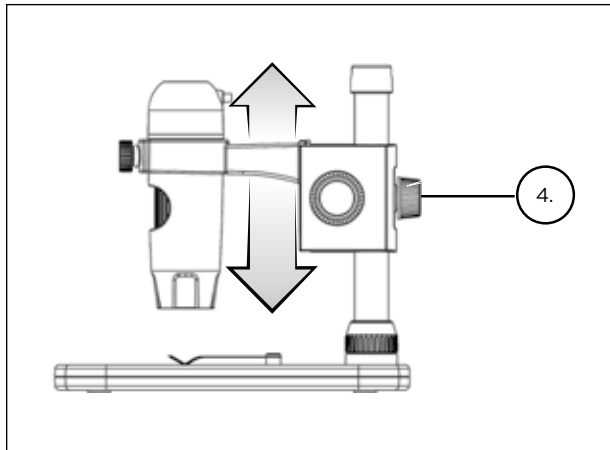
- + Connect the microscope to your computer via the USB 2.0 cable.
- + Click on the Micro Capture Pro desktop icon to launch the software.
- + Your microscope should automatically connect and begin streaming images.



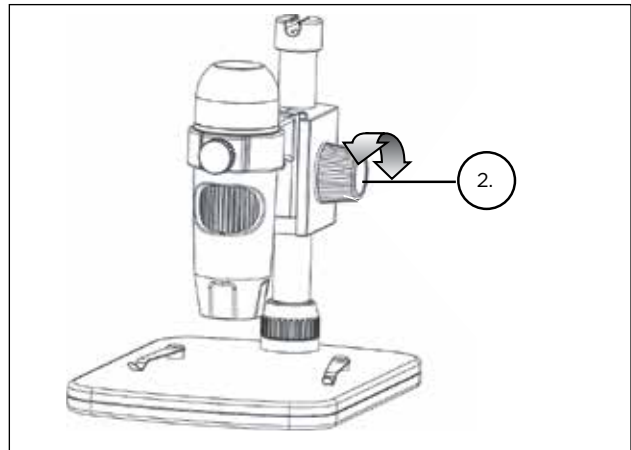
NOTE: If the microscope is not connected to the USB port, the following error message will be displayed: "No device detected. Please connect your microscope directly to an open USB port."



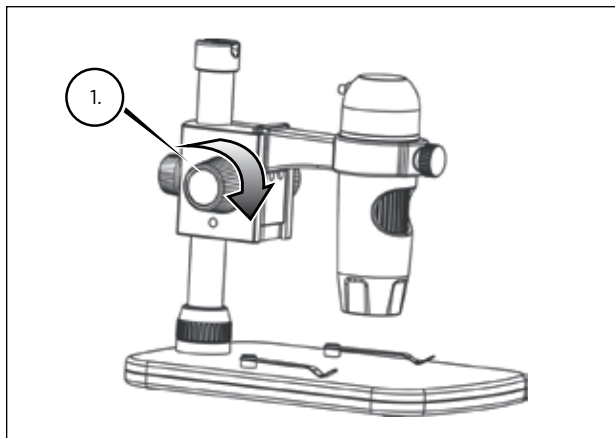
B. FOCUSING



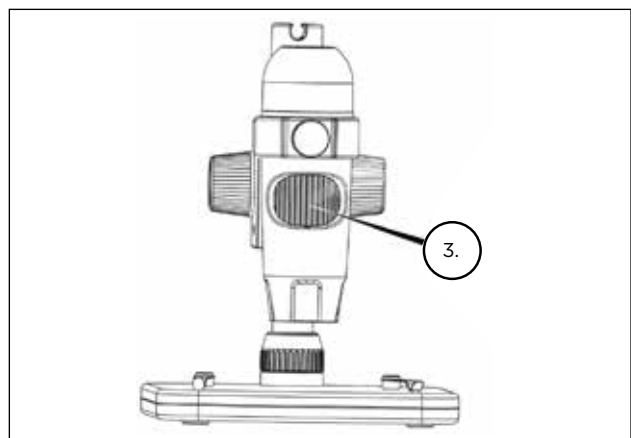
- + To focus on an image using the included stand:
- + Adjust the height of the carriage holding the microscope.
- + Tighten the Carriage Height Adjustment Lock Nut (4) to hold in place.



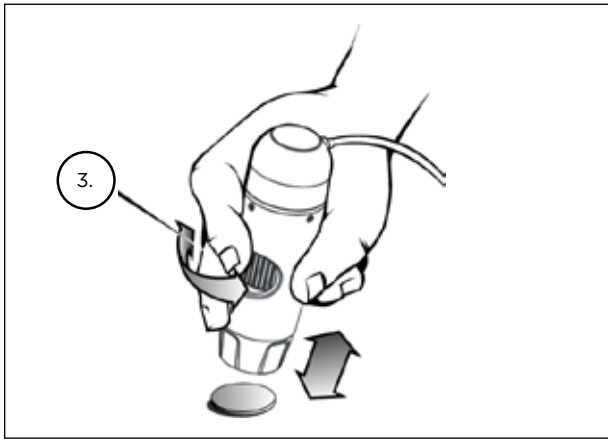
- + Turn the Height Adjustment Wheel (2) to set the coarse focus.



- + Once satisfied with the position, tighten the Lock Wheel (1), securing the carriage in place.



- + Now, rotate the Focus Wheel (3) to set the fine focus.



+ When using the microscope in handheld mode, adjust the coarse focus by changing the distance between the microscope and your subject. Adjust fine focus with the Focus Wheel (3).

4. USING THE SOFTWARE

A. CAPTURE A PHOTO/VIDEO

+ To capture a photo, click on the Capture menu and scroll down to Photo.

+ To begin recording video, click on the Capture menu and scroll down to Video. Repeat to stop recording.



B. OTHER MENU ITEMS

FILE: Under the File menu item, you will find:

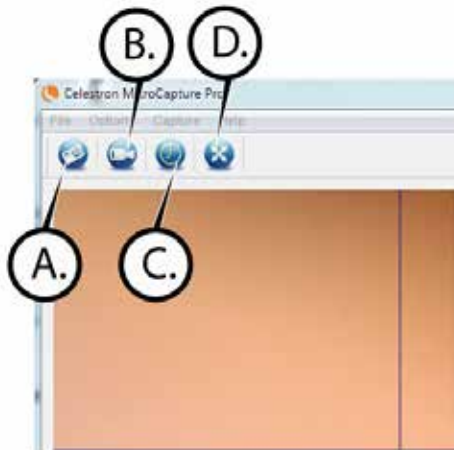
1. Photos Directory: Directs you to designate a folder on your hard drive for photo storage.
2. Videos Directory: Directs you to designate a folder on your hard drive for video storage.
3. Exit: Closes the Micro Capture Pro software.

OPTIONS: Under the Options menu item, you will find:

1. Resolution: Sets the sensor image resolution.
Choose from 4 resolution settings:
 - 1280 x 960 (1.3 MP)
 - 1600 x 1200 (2 MP)
 - 2048 x 1536 (3 MP)
 - 2592 x 1944 (5 MP)
2. Date/Time: Turns the Date and Time stamp on or off.
3. Language: Changes the language setting. Choose from 12 languages:
 - English, German, French, Spanish, Russian, Italian, Portuguese, Dutch, Polish, Japanese, Korean and Chinese
4. X,Y Guide: Turns the reticle guide on the preview screen on or off.
5. Full Screen Mode: Enters full screen mode. Press ESC to exit.

ICONS: Along with the menu items, there are icons which mean the following:

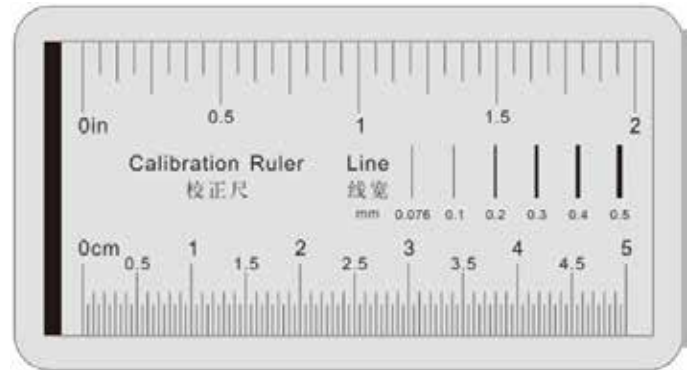
- A. Take Snap Shot
- B. Start Video. Stop Video
- C. Set Time Lapse Intervals
- D. Full Screen Mode (press ESC to go back to main screen)



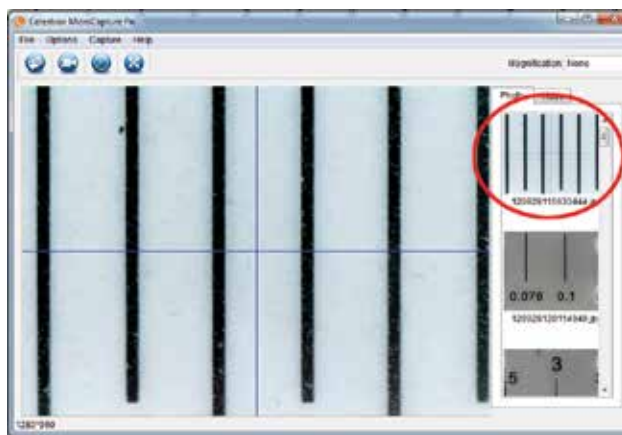
C. CALIBRATION AND MEASUREMENT



- + The Celestron Micro Capture Pro software includes a measurement feature. To use this feature, you must first perform a measurement calibration.
- + Make sure the X,Y Guide is set to "On" by selecting it in the Options Menu.



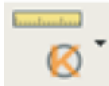
- + Set the height of the microscope and focus on your specimen. Then, replace your specimen with the calibration ruler.
- + Re-adjust the focus and align the calibration ruler so that the lines on the ruler are parallel with the vertical line on the X,Y Guide.



- + Take a still image. The image will be displayed in the column on the right side of the screen.




- + Double click the saved image to open it in the Image Preview screen.

- + Click on the Calibration icon 
- + Click and drag a line across a "known value" on the ruler image. Try to keep the line as perpendicular to the lines on the ruler as possible.
- + The "Adjust magnification" window will pop up as shown here.
- + In the box "Actual Dimension", enter the "known value" from the calibration ruler.



+ To ensure that calibration was successful, go back to the Image Capture screen.

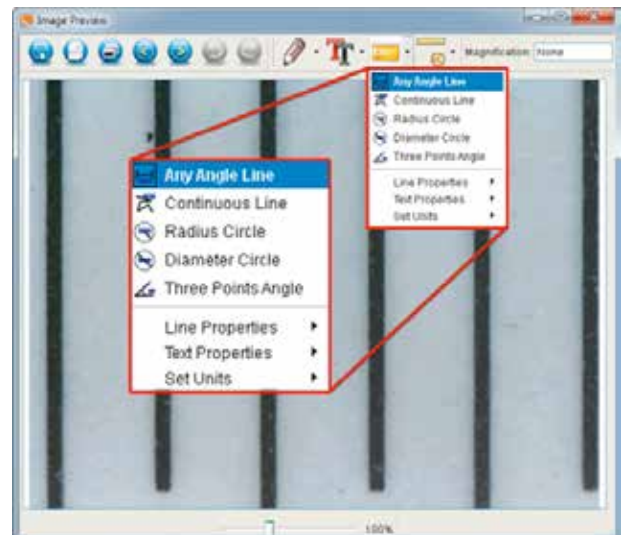
+ Click the ruler icon  and from the dropdown menu select the option "Any Angle Line."

+ Click and drag a line across the same "known value" as before.

+ If the calibration was successful, the distance you measured should be exact to the "known value."

+ To capture images without changing the height or magnification, click on the Calibration icon. In the dropdown menu, select "Set Magnification," then "Set Capture Magnification."

+ A pop-up window will appear. Type in the magnification shown in the upper right corner of the main window.



D. MEASURING TOOLS

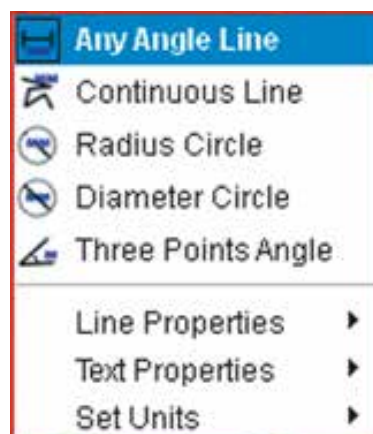
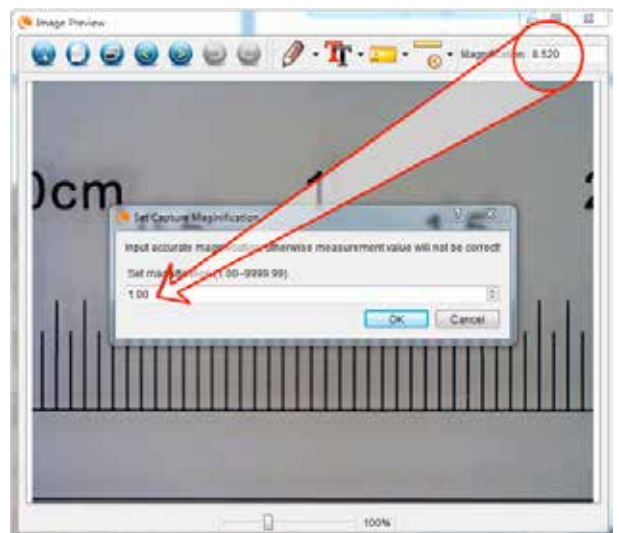
You will notice in the measuring drop down menu there are many tools. Here is the list of measurements you can take:

MAIN

1. Any Angle: Measures from point A to point B in a straight line.
2. Continuous Line: Measures the total distance between multiple points. Start by measuring a straight line from point A to point B. Then, click and drag to continue measuring from point B to point C. (Can be repeated as many times as you like.)
3. Radius Circle: Measures a circle's radius. Starting at the center, drag the cursor out to any edge.
4. Diameter Circle: Measures a circle's diameter. Starting at one outside edge, drag the cursor across to the opposite edge.
5. Three Point Angle: Measures an angle between two points, starting from a radius point or an intersection point. Click on point A, (radius point) drag and click on point B, then click on point C. The angle will be drawn and the angle degree will be displayed.

SETTINGS

1. Line Properties: Changes the settings for line type, width, size and color.
2. Text Properties: Changes the settings for font type, size, style and color.
3. Set Units: Changes the units setting. Choose from millimeters, centimeters, pixels or inches.



E. TAKING NOTES AND MARKING THE IMAGE

Micro Capture Pro includes functionality to mark, draw on, or add notes to saved images. This can be handy for quick note taking and pointing out features on your specimen image.

1. MARKING

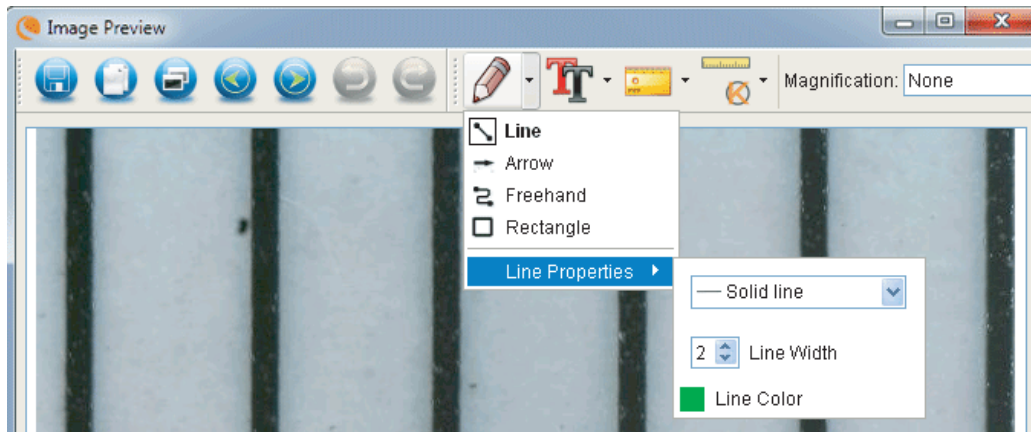
- + To use this feature, click the Draw icon  in the Image Preview window.
- + The complete choices in the Draw dropdown menu are:

MAIN


1. Line: Draws a straight line on the image.
2. Arrow: Draws a line with an arrow on the image.
3. Freehand: Allows user to draw freehand. Good for quick, handwritten notes.
4. Rectangle: Draws a box. Good for calling out features on the image or framing text.

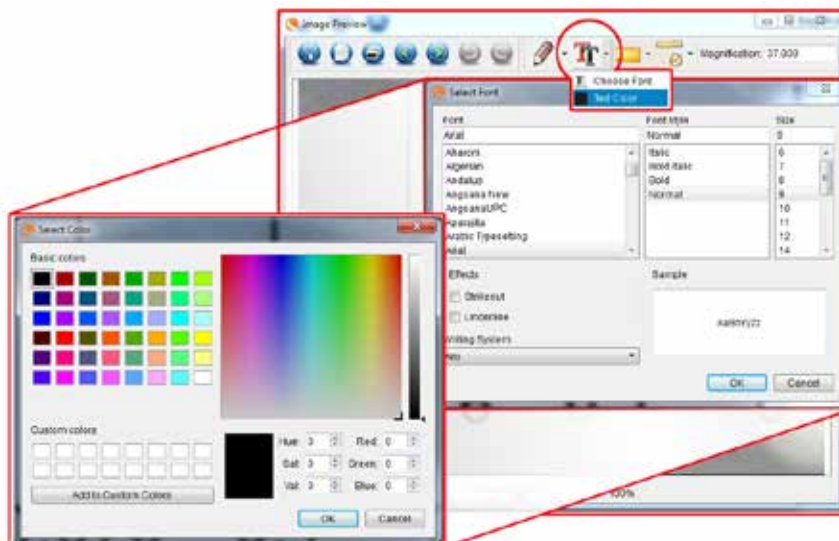
SETTINGS

1. Line Properties: Allows for setting the line type, size and color

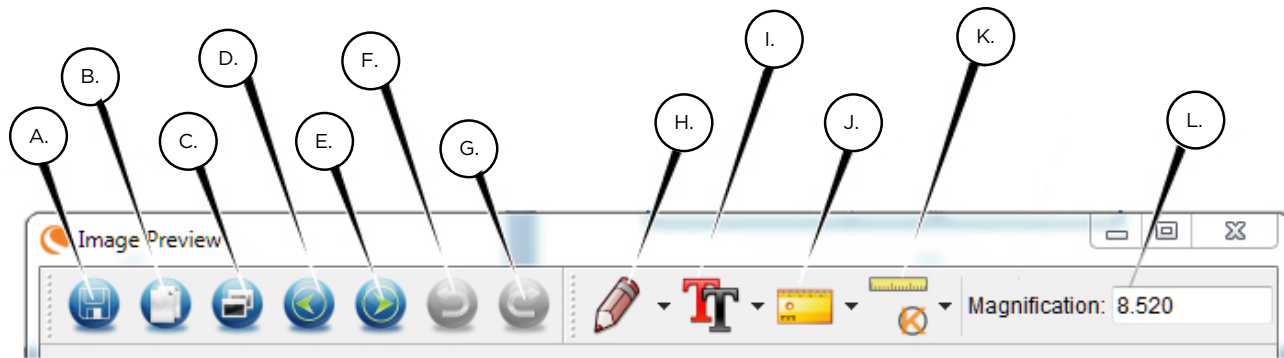


2. ADD TEXT

- + To type notes on the image, select the Type icon .
- + In the dropdown menu, you can choose the font type, size and color.



F. IMAGE PREVIEW ICONS EXPLAINED



- A. Save: Save your file
- B. Copy to clipboard: Copy to open in other program
- C. Copy: Save as a copy
- D. Previous: Takes you back to the previous image in save folder
- E. Next: Takes you forward to the next image in save folder
- F. Undo: Takes you back one step
- G. Redo: Takes you forward one step
- H. Draw
- I. Text/Notes
- J. Measure
- K. Calibration
- L. Current Magnification (based on the latest calibration)

5. CARE AND MAINTENANCE

Your Celestron Handheld Digital Microscope Pro is a precision optical instrument and should be treated with care at all times. Follow these suggestions and your microscope will need very little maintenance throughout its lifetime.

- + Store your microscope in a clean, dry place.
- + Never use your microscope where operation of such devices is restricted. Improper use creates the risk of serious accident.
- + Only use your microscope within the 23° to 120°F (-5° to 50° C) temperature range. Try to limit sudden temperature changes as this may create moisture in the microscope housing.
- + Do not try to access the internal components of your microscope or attempt to modify it in any way. Only authorized technicians should perform maintenance or repairs.
- + Keep your microscope away from water and other liquids. Never use it in rain or snow. Moisture creates the danger of fire and electric shock.
- + If the exterior of your microscope needs cleaning, wipe it with a moist cloth.

6. WARRANTY

Your Celestron Handheld Digital Microscope Pro has a two year limited warranty. Please visit the Celestron website for detailed information on all Celestron microscopes.

celestron.com



© 2018 Celestron • All rights reserved. • celestron.com
2835 Columbia Street • Torrance, CA 90503 U.S.A.
Telephone: 1(800) 421-9649 • Printed in China 2018



FCC Note: This equipment has been tested and found to comply with the limits for a Class B digital device, pursuant to part 15 of the FCC Rules. These limits are designed to provide reasonable protection against harmful interference in a residential installation. This equipment generates, uses, and can radiate radio frequency energy and, if not installed and used in accordance with the instructions, may cause harmful interference to radio communications. However, there is no guarantee that interference will not occur in a particular installation. If this equipment does cause harmful interference to radio or television reception, which can be determined by turning the equipment off and on, the user is encouraged to try to correct the interference by one or more of the following measures:

- + Reorient or relocate the receiving antenna.
- + Increase the separation between the equipment and receiver.
- + Connect the equipment into an outlet on a circuit different from that to which the receiver is connected.
- + Consult the dealer or an experienced radio/TV technician for help.

This product is designed and intended for use by those 14 years of age and older. Product design and specifications are subject to change without prior notification. Revision B.

MICROSCOPE Numérique Portatif **PRO**



1. INTRODUCTION

Merci d'avoir acheté le microscope numérique portatif pro de Celestron avec capteur 5 MP et support professionnel. Votre microscope est un instrument optique de précision, fabriqué à partir de matériaux de la plus grande qualité afin d'assurer sa durabilité et sa longue durée de vie. Il est conçu pour offrir un grand confort d'utilisation avec un minimum d'entretien.

Avant de commencer à utiliser votre microscope, lisez ces instructions et les schémas d'illustration ci-dessous dans leur totalité. Vous familiariser avec les fonctionnalités variées du microscope numérique portatif pro sera d'une grande aide pour vous garantir une expérience d'utilisation agréable.

Le microscope numérique portatif pro permet un agrandissement basse puissance de 20x à 200x et se connecte via USB 2.0 aux ordinateurs PC et Mac. (REMARQUE : dépendant de la taille de votre moniteur, vous pourriez pouvoir atteindre un agrandissement de 800x). Ce microscope est un microscope à basse puissance d'agrandissement qui est plus adapté à l'examen de pièces, timbres, pierres, composants électroniques, insectes et autres objets 3D. Les spécimens contenus sur des lames peuvent être observés, mais ce microscope n'est pas conçu pour ce faire. Vous trouverez nos microscopes biologiques plus adaptés à ce type d'observation à cette adresse : www.celestron.com.

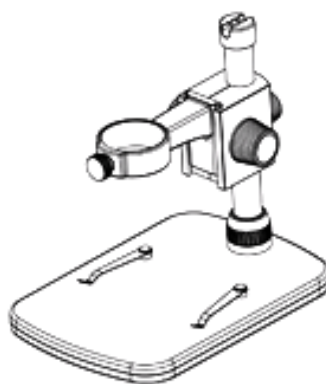
Le microscope numérique portatif pro de Celestron n'est pas équipé d'un oculaire comme les microscopes traditionnels. Au lieu de cela, le capteur « observe » le spécimen à un agrandissement de 10x puis l'image est affichée sur un écran d'ordinateur. Cela rend l'observation amusante, limite la fatigue des yeux et du cou et permet de partager les images plus aisément. Vous pouvez ainsi tenir le microscope à la main tout en observant de grandes surfaces hors d'un environnement de laboratoire, ou utiliser le support professionnel livré avec pour permettre une observation mains-libres et plus précise. L'enregistrement d'images fixes ou de vidéos est un jeu d'enfant. Vous pouvez enregistrer, transférer et partager vos images rapidement et aisément à l'aide du logiciel Celestron Micro Capture Pro inclus.

Prenez le temps de lire les conseils simples d'entretien et de maintenance contenus dans ce manuel pour garantir la plus longue durée de fonctionnement et les meilleures performances possibles pour votre microscope numérique portatif pro.

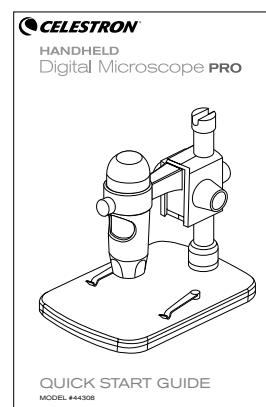
A. DANS LA BOÎTE



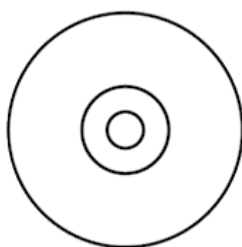
Microscope (1)



Support professionnel (1)



Guide de démarrage rapide (1)



CD (1)

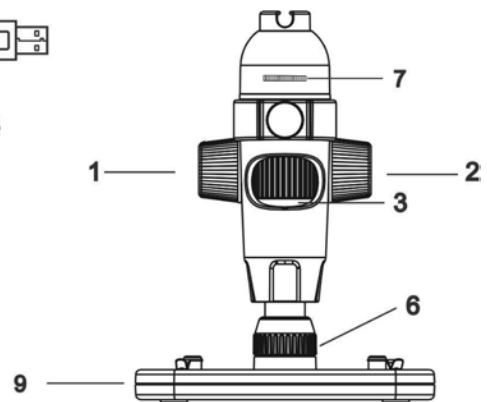
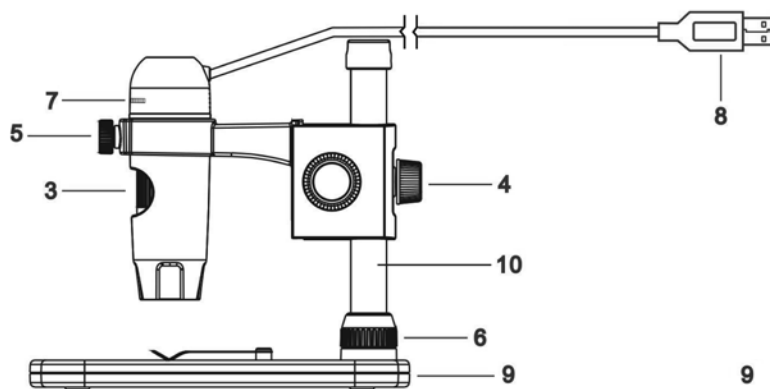
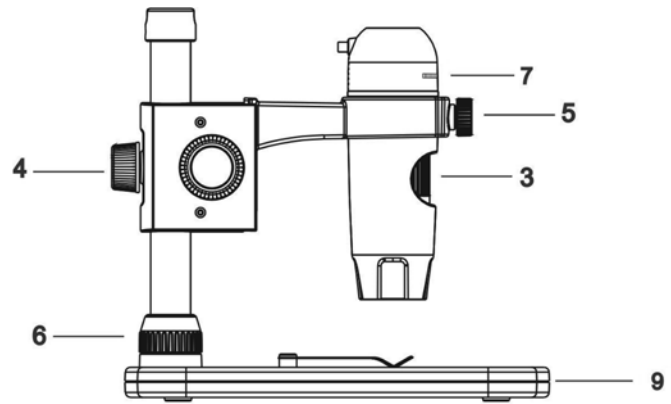


Règle de calibration (1)

B. COMPOSANTS

N°. FUNCTION

1.	Molette de verrouillage
2.	Molette de réglage de la hauteur
3.	Molette de mise au point
4.	Boulon de verrouillage de la hauteur
5.	Boulon de verrouillage du support du microscope
6.	Collier de verrouillage de connexion de colonne
7.	Molette de réglage de l'éclairage
8.	Fiche USB
9.	Base du support
10.	Colonne de support



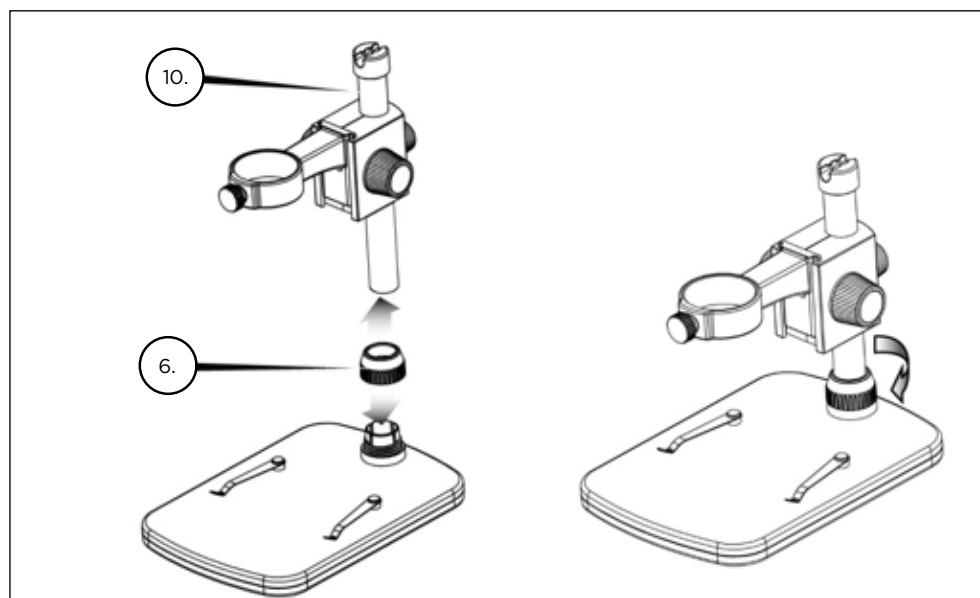
C. CARACTÉRISTIQUES TECHNIQUES

Taille de capteur d'imagerie	5 MP (Méga pixels)
Support	Support professionnel avec hauteur réglable
Objectif	Coupe IR 5 éléments, verre de haute qualité, DFE (Distance Focale Équivalente) : 15,8 mm, LCV : 13,0"
Plage de focale	10mm ~ infini
Éclairage	Anneau supérieur – 8 DEL blanches lumineuses
Agrandissement	20x à 200x
Déclencheur	Dans le logiciel
Résolution des images fixes	2592x1944 (5MP), 2320x1744 (4MP), 2048x1536 (3MP), 1920x1080 (2MP), 1280x1024 (1.3MP)
Résolution vidéo	Min. 1280x1024 @15ips; Max. 2592x1944 @10ips
Interface ordinateur	USB 2.0
Logiciel	Micro Capture Pro de Celestron avec fonctionnalités de mesure et de prise de notes
Systèmes d'exploitation pris en charge	Windows : Windows 7/8 Mac : OSX 10.12 (Sierra)
Langues du logiciel	(12) Anglais, Allemand, Français, Espagnol, Russe, Italien, Portugais, Néerlandais, Polonais, Japonais, Coréen et Chinois
Configuration système minimale	512 Mo de RAM/ 64 Mo de mémoire vidéo/ Un port USB libre/ lecteur de CD-ROM
Dimensions	Microscope : 110x35 mm (4,33"x1,38") Support : 175x140x110 mm (6,90"x5,51"x4,33")
Poids	907 grammes (2 livres), support et emballage compris.

2. INSTALLATION

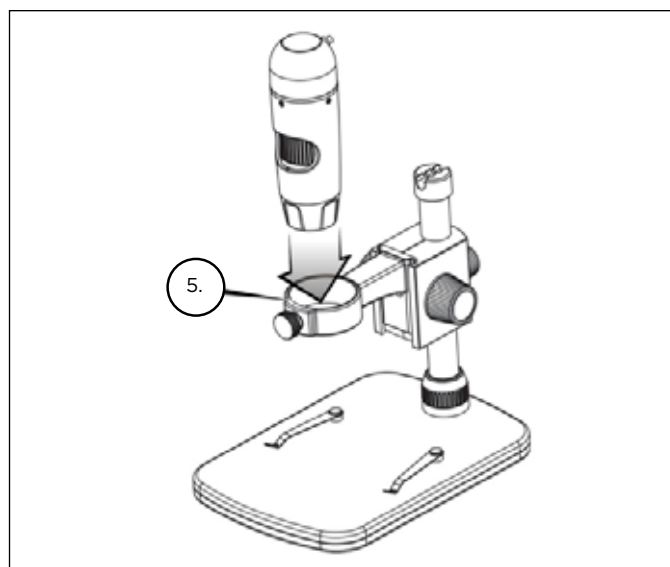
A. ASSEMBLAGE DU SUPPORT DU MICROSCOPE

- + Retirez avec précaution tous les composants de la boîte.
- + Faites glisser le collier de verrouillage de connexion de colonne (6) sur la colonne de support (10).
- + Attachez le collier de verrouillage de connexion de colonne (6) au pas de vis de la base et serrez.



B. FIXATION DU MICROSCOPE

- + Insérez le microscope dans le support du microscope puis serrez le boulon de verrouillage (5) pour le fixer solidement.



C. INSTALLATION DU LOGICIEL - WINDOWS

- + Insérez le CD Micro Capture Pro dans le lecteur de CD-ROM. L'interface suivante sera affichée automatiquement :
- + Cliquez sur « Installer Capture Pro » et suivez l'assistant d'installation pendant qu'il vous guide dans le processus.

D. INSTALLATION DU LOGICIEL - MACINTOSH

- + Ouvrez le dossier MAC du CD et effectuez l'installation en suivant les étapes à l'écran.
- + Pour commencer l'enregistrement vidéo, cliquez sur le menu Capture et descendez à la vidéo. Répéter pour arrêter l'enregistrement.
- + Branchez le Microscope Numérique Portable Pro et ouvrez le logiciel Micro Capture Pro. Votre microscope est maintenant prêt à l'emploi.

REMARQUE : l'interface est similaire à l'interface sous Windows, mais aura une apparence légèrement différente.



3. UTILISER LE MICROSCOPE

A. CONNECTING

+ Connectez le microscope à l'ordinateur avec le câble USB 2.0.

+ Cliquez sur l'icône Micro Capture Pro située sur le bureau pour lancer le logiciel.



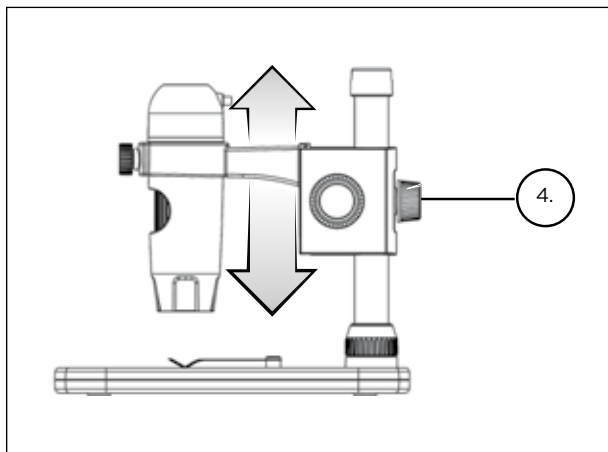
+ L'écran principal apparaît ci-dessous.

+ Votre microscope sera automatiquement connecté et commencera la diffusion d'images.

REMARQUE : Si le microscope n'est pas connecté au port USB, alors le message suivant est affiché : « Aucun dispositif détecté. Branchez le microscope directement à un port USB disponible ».



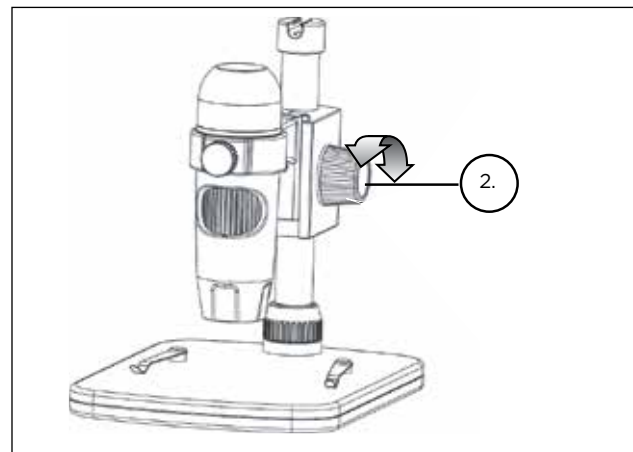
B. MISE AU POINT



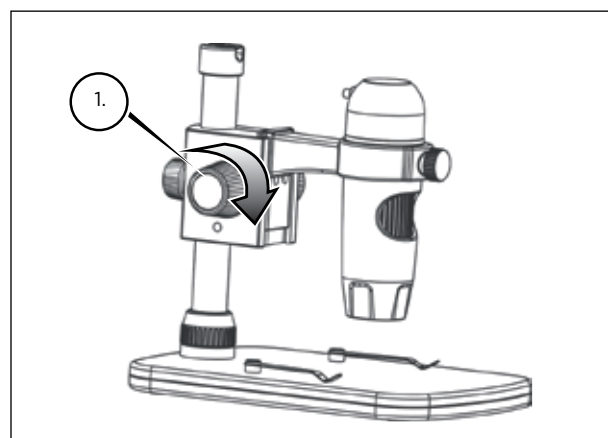
+ Pour effectuer la mise au point à l'aide du support fournit :

+ Réglez la hauteur du support du microscope.

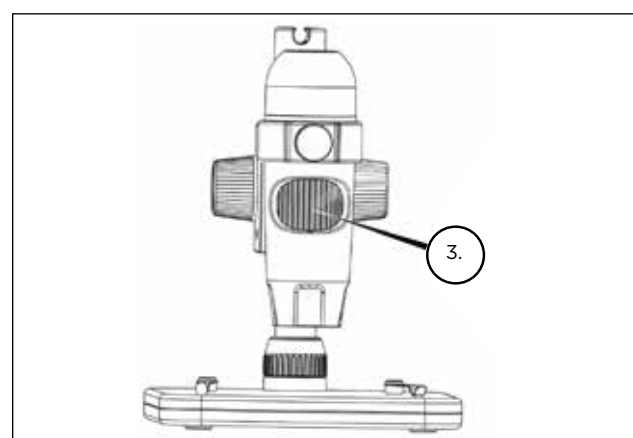
+ Serrez ensuite le boulon de verrouillage de la hauteur (4) pour la maintenir en place.



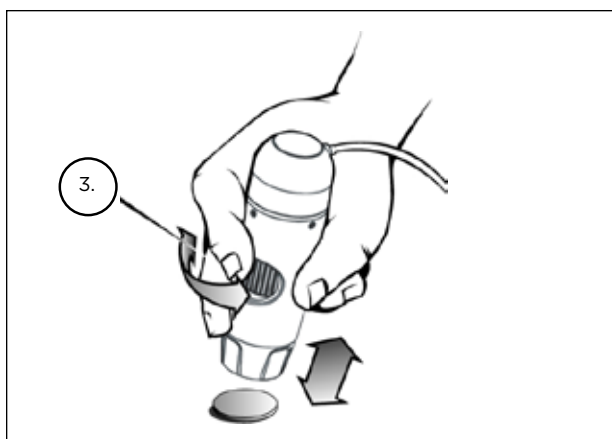
+ Tournez la molette de réglage de la hauteur (2) pour effectuer le réglage grossier.



+ Une fois satisfait de la position, serrez la molette de verrouillage (1) pour la maintenir en place.



+ Tournez la molette de réglage de la mise au point (3) pour effectuer le réglage fin.

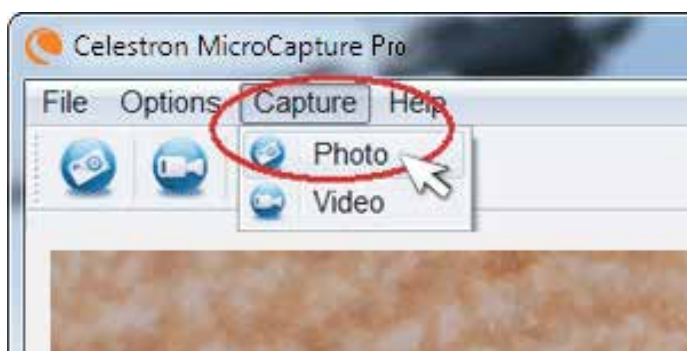


- + Si vous tenez le microscope à la main, effectuez ce réglage en l'approchant ou en l'éloignant du sujet observé. Effectuez ensuite le réglage fin à l'aide de la molette de mise au point (3).

4. FONCTIONNALITÉS LOGICIELLES

A. PRISE DE VUE PHOTO/VIDÉO

- + Pour prendre une photo, cliquez sur le menu Capture puis faites défiler jusqu'à Photo.
- + Pour enregistrer une vidéo, cliquez sur le menu Capture puis faites défiler jusqu'à Vidéo. Répétez pour arrêter l'enregistrement.



B. AUTRES ÉLÉMENTS DU MENU

DOSSIER : Dans le menu Fichier, vous trouverez:

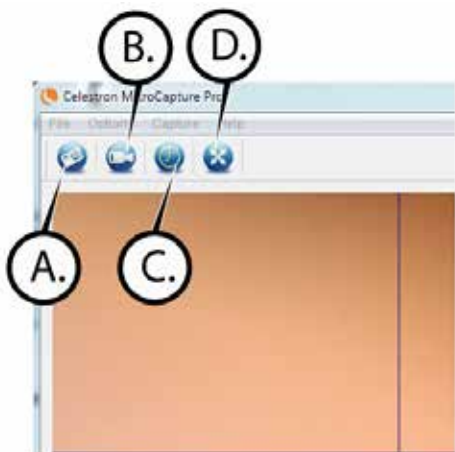
1. Répertoire photos : pour sélectionner un dossier de votre disque dur pour l'enregistrement des photos.
2. Répertoire vidéos : pour sélectionner un dossier de votre disque dur pour l'enregistrement des vidéos.
3. Quitter : pour fermer le logiciel Micro Capture Pro.

OPTIONS : Dans le menu Options, vous trouverez:

1. Résolution : pour sélectionner la résolution du capteur d'images. Choisissez entre 4 paramètres de résolution :
 - 1280 x 960 (1,3 MP)
 - 1600 x 1200 (2 MP)
 - 2048 x 1536 (3 MP)
 - 2592 x 1944 (5 MP)
2. Date et heure : pour afficher ou masquer l'horodatage.
3. Langue : pour sélectionner la langue d'interface.
12 langues au choix :
 - Anglais, Allemand, Français, Espagnol, Russe, Italien, Portugais, Néerlandais, Polonais, Japonais, Coréen et Chinois
4. Guide X,Y : pour afficher ou masquer le cadre de guide superposé à l'écran.
5. Mode plein écran : pour activer le mode plein écran. Appuyez sur ESC pour quitter.

ICÔNES : Avec les éléments de menu, il ya des icônes qui signifie ce qui suit:

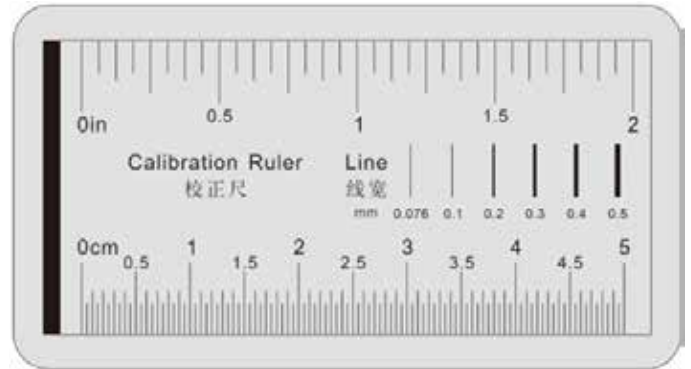
- A. Prenez Snap Shot
- B. Démarrer vidéo. Arrêtez la vidéo
- C. Définir des intervalles de Time Lapse
- D. Mode plein écran (appuyez sur Echap pour revenir à l'écran principal)



C. CALIBRATION AND MESURES



- + Le logiciel Micro Capture Pro de Celestron comporte une fonction de mesure. Vous devez effectuer une calibration avant d'utiliser la fonction de mesure.
- + Vérifiez que le guide X, Y est « Affiché » dans les options en le sélectionnant dans le menu Options.



- + Réglez la hauteur du microscope et effectuez la mise au point sur votre spécimen. Remplacez ensuite le spécimen avec la règle de calibration.
- + Effectuez la mise au point de nouveau et alignez la règle de calibration de manière à ce que les lignes de la règle soient parallèles avec les lignes verticales du guide X, Y.



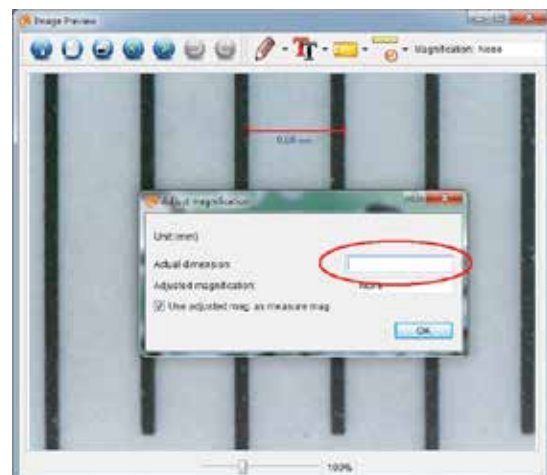
- + Prenez une photo. L'image sera affichée dans la colonne de la droite de l'image.




- + Double-cliquez sur l'image enregistrée pour ouvrir l'image dans l'écran de visualisation.



- + Cliquez sur l'icône de calibration
- + Cliquez et tirez une ligne sur une « Valeur connue » sur l'image de la règle. Conservez la ligne aussi perpendiculaire avec les lignes de la règle que possible.
- + La fenêtre « Régler l'agrandissement » apparaît comme indiqué ci-dessous.
- + Dans la boîte « Dimension réelle », saisissez la « Valeur connue » trouvée sur la règle de calibratio.



+ Pour confirmer que la calibration a été effectuée avec succès, consultez l'écran de capture d'image de nouveau.

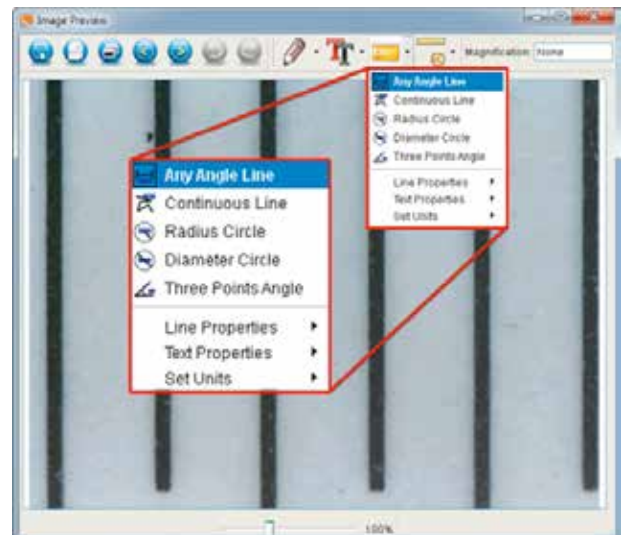
+ Cliquez sur l'icône de la règle  et dans le menu déroulant qui apparaît, sélectionnez « Ligne de n'importe quel angle ».

+ Cliquez et tirez une ligne sur la même « Valeur connue » précédemment utilisée.

+ Si le calibrage a réussi, la distance que vous mesurer doit être exact à la «valeur connue ».

+ Pour effectuer des prises de vue sans modifier la hauteur ou la valeur d'agrandissement, cliquez sur l'icône de calibration. Dans le menu déroulant, sélectionnez « Définir l'agrandissement », puis « Définir l'agrandissement de prise de vue ».

+ Une boîte de dialogue apparaît. Saisissez-y la valeur d'agrandissement affichée dans le coin supérieur droit de la fenêtre principale.



D. OUTILS DE MESURE

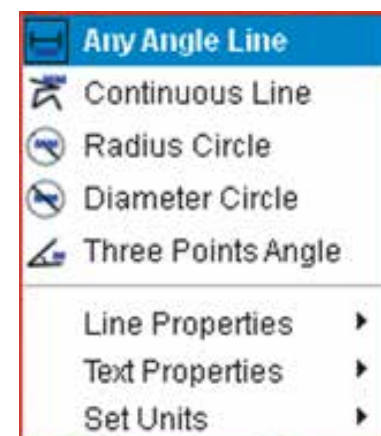
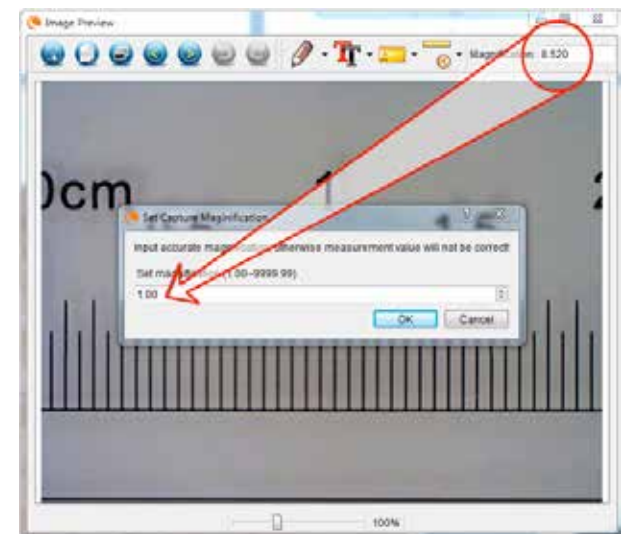
Vous remarquerez dans la liste déroulante de mesure dans le menu déroulant, il ya beaucoup d'outils. Voici la liste des mesures que vous pouvez prendre :

MAIN

1. Sous n'importe quel angle : Pour mesurer la distance entre un point A et un point B en ligne droite.
2. Ligne continue : Pour mesurer la distance totale entre des points multiples. Commencez par mesurer la distance entre un point A et un point B en ligne droite. Ensuite, faites cliquer puis glisser pour continuer la mesure entre B et C (peut être répété autant de fois que désiré.)
3. Rayon d'un cercle : Pour mesurer le rayon d'un cercle. En commençant par le centre, faire glisser le curseur sur n'importe quel bord.
4. Diamètre d'un cercle : Pour mesurer le diamètre d'un cercle. En commençant depuis une bordure, faire glisser le curseur vers la bordure opposée.
5. Angle à trois points : Pour mesure l'angle entre deux points, en commençant par un point de rayon ou d'intersection. Cliquez sur le point A (point de rayon), faites glisser puis cliquez sur le point B, puis sur le point C. L'angle sera dessiné et le degré de l'angle sera affiché.

PARAMÈTRES

1. Paramètres des lignes : Pour modifier les paramètres de type, d'épaisseur, de taille et de couleur de ligne.
2. Paramètres du texte : Pour modifier les paramètres de type, de style, de taille et de couleur du texte.
3. Paramètres des unités : Pour modifier les paramètres des unités. Choisissez entre millimètres, centimètres, pixels ou pouces.



E. PRENDRE DES NOTES ET MARQUER L'IMAGE

Micro Capture Pro comporte des fonctions pour marquer, dessiner, ou ajouter des notes sur les images enregistrées. Cela peut être pratique pour prendre des notes rapidement et mettre en évidence des caractéristiques précises de l'image du spécimen.

1. MARQUAGE

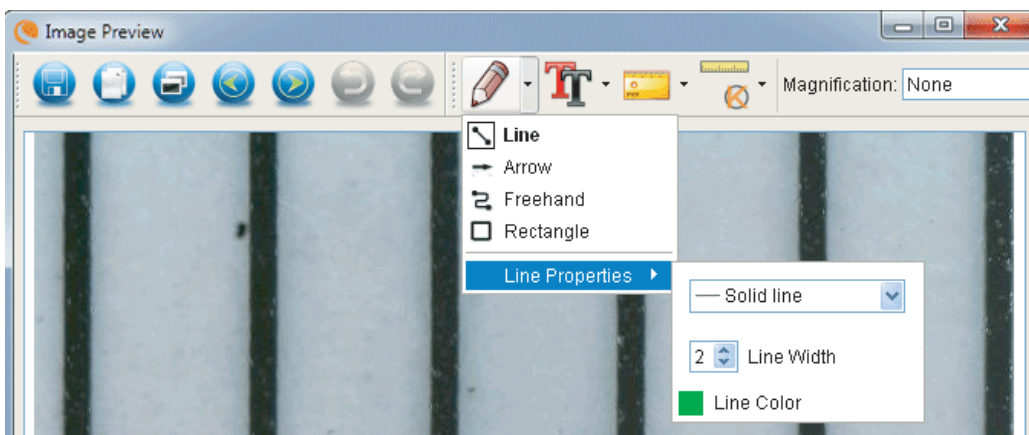
- + Pour utiliser ces fonctions, cliquez sur l'icône de dessin  dans la fenêtre de visualisation d'image!
- + Les options du menu déroulant Dessiner sont les suivantes :

PRINCIPAL


1. Ligne : Pour dessiner une ligne droite sur l'image.
2. Flèche : Pour dessiner une ligne avec flèche sur l'image.
3. Dessin libre : Pour effectuer un dessin libre. Pratique pour la prise de note rapide à la main.
4. Rectangle : Pour dessiner une boîte. Pratique pour mettre une caractéristique en évidence ou encadrer du texte.

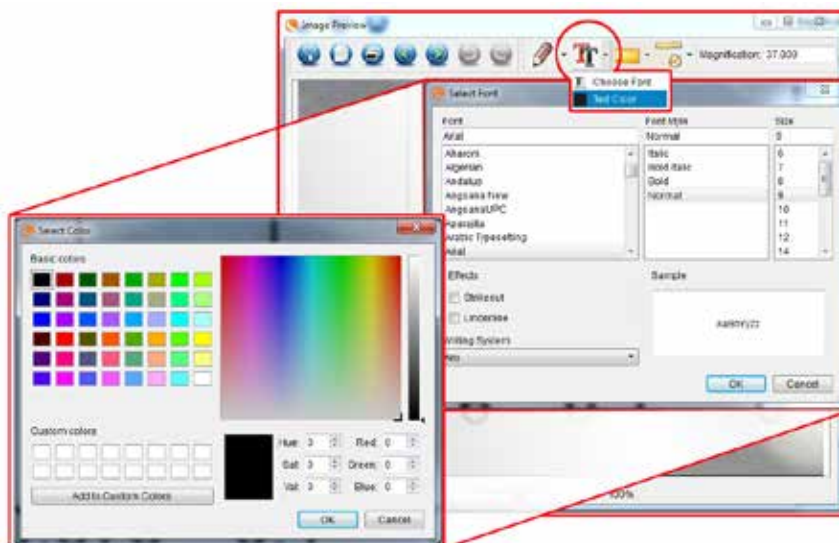
PARAMÈTRES

1. Paramètres des lignes : Pour modifier les paramètres de type, de taille et de couleur de ligne.

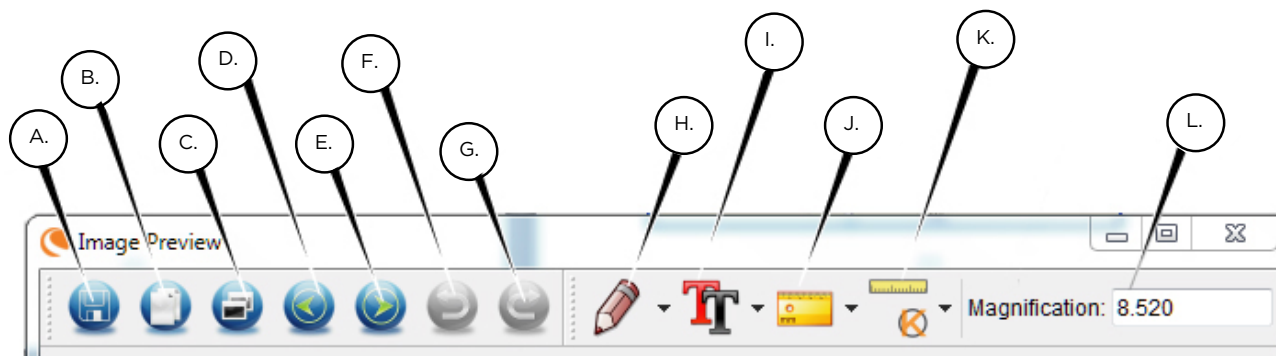


2. AJOUTER LE TEXTE

- + Pour taper des notes sur l'image, sélectionnez l'icône .
- + Dans le menu déroulant, vous pouvez sélectionner le type de police, la taille et la couleur.



F. ICÔNES EXPLICATION APERÇU DE L'IMAGE



- A. Enregistrer : Enregistrer votre fichier
- B. Copier dans le presse-papier : Copie d'ouvrir dans un autre programme
- C. Copier : Enregistrer comme copie
- D. Précédent : Vous ramène à l'image précédente dossier d'enregistrement
- E. Suivant : Vous fait avancer à l'image suivante dans le dossier de sauvegarde
- F. Annuler : Vous ramène une étape
- G. Rétablir : Prend-vous avancer d'un pas
- H. Dessiner
- I. Texte/notes
- J. Mesure
- K. Calibration
- L. Agrandissement actuel (selon la dernière calibration effectuée)

5. NETTOYAGE ET ENTRETIEN

Votre accessoire Celestron est un instrument optique de précision et doit être traité avec soin, à tout moment. Suivez ces suggestions d'entretien et votre microscope n'aura besoin que de très peu de maintenance tout au long de sa vie.

- + Entrez votre microscope dans un endroit frais et sec.
- + Ne jamais utiliser votre microscope dans les lieux où de tels dispositifs sont interdits. Une utilisation incorrecte peut entraîner des accidents sérieux.
- + N'utilisez votre microscope que dans des environnements de température compris entre -5 °C à 50 °C (23 °F à 120 °F). Essayez d'éviter les changements de température brusques, car cela pourrait entraîner la formation d'humidité dans le boîtier du microscope.
- + Ne pas essayer d'atteindre les composants internes de votre microscope ou essayer de les modifier de quelque manière que ce soit. Seuls les techniciens qualifiés sont habilités à effectuer la maintenance ou réparations.
- + Conservez le microscope à distance de l'eau ou autres liquides. Ne jamais utiliser sous la pluie ou la neige. L'humidité entraîne des risques d'incendie ou de choc électrique.
- + Si la surface extérieure du microscope doit être nettoyée, essuyez-la à l'aide d'un tissu humide.

6. GARANTIE

Votre microscope numérique portable pro de Celestron possède une garantie limitée de deux ans. Rendez-vous sur le site web de Celestron pour obtenir des informations détaillées sur tous les microscopes Celestron.

celestron.com



© 2018 Celestron • Tous droits réservés • celestron.com
2835 Columbia Street • Torrance, CA 90503 É.-U.
Téléphone : 1(800) 421-9649 • Imprimé en Chine 2018



Remarque FCC : Cet équipement a été testé et trouvé conforme aux limites pour un dispositif numérique de classe B, conformément à la Partie 15 des règlements de la FCC. Ces limites visent à protéger convenablement les particuliers contre les interférences nuisibles dans une installation résidentielle. Cet équipement génère et peut émettre des fréquences radio et, s'il n'est pas installé et utilisé conformément aux instructions du manuel, peut causer des interférences nuisibles aux communications radio. Toutefois, il n'existe aucune garantie contre des interférences se produisant dans le cadre d'une installation particulière. Si l'équipement engendre des interférences nuisant à la réception radio ou télévisuelle (ce qui peut être déterminé en le mettant hors tension, puis en le remettant sous tension), vous êtes encouragé à tenter d'y remédier en ayant recours à l'une des mesures suivantes:

- + Réorienter ou déplacer l'antenne réceptrice.
- + Augmenter la séparation entre l'équipement et le récepteur.
- + Branchez l'appareil à la prise secteur d'un circuit différent de celui sur lequel le récepteur est branché.
- + Demandez l'assistance de votre revendeur ou celle d'un technicien radio/TV.

Ce produit est conçu et destiné à être utilisé par des personnes de 14 ans et plus. Conception et les spécifications sont sujettes à modification sans notification préalable. Révision B.

DIGITALEN Handmikroskops **PRO**



BEDIENUNGSANLEITUNG

MODELL NR. 44308

1. EINFÜHRUNG

Vielen Dank für den Kauf des digitalen Handmikroskops Pro von Celestron mit 5MP-Sensor und Profiständer. Bei Ihrem Mikroskop handelt es sich um ein präzises optisches Instrument aus Materialien höchster Qualität, was Haltbarkeit und Langlebigkeit gewährleistet. Es wurde konzipiert, um Ihnen bei minimalem Wartungsaufwand ein Leben lang Freude zu bereiten.

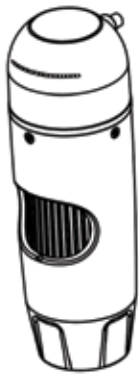
Lesen sie die Anleitung sowie die untenstehenden Referenzabbildungen bitte vor dem Gebrauch Ihres Mikroskops durch. Machen Sie sich mit den vielen Funktionen des digitalen Handmikroskops Pro vertraut und Sie werden erfreuliche Erfahrungen damit machen.

Das digitale Handmikroskop Pro bietet niedrige Vergrößerungen von 20- bis 200-fach und lässt sich über USB 2.0 an Ihren Macintosh- oder Windows-PC anschließen. (ANMERKUNG: Je nach Größe Ihres Monitors können Sie eine 800-fache Vergrößerung erzielen.) Bei diesem Mikroskop handelt es sich um ein leistungsstarkes Mikroskop mit niedriger Vergrößerung, das sich in erster Linie für die Untersuchung von Proben wie Münzen, Briefmarken, Steinen, Elektronikteilen, Insekten und anderen 3D-Objekten eignet. Proben auf Objektträgern können betrachtet werden, doch ist das Mikroskop für diesen Zweck nicht ideal. Einige Biologie-Mikroskope, die sich für diese Betrachtungsart besser eignen, finden Sie auf www.celestron.com.

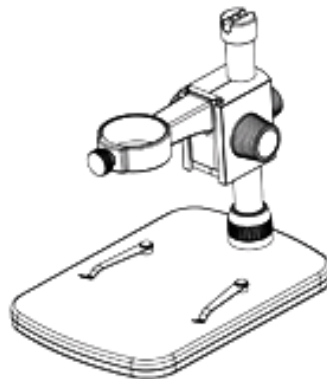
Das digitale Handmikroskop Pro von Celestron verwendet kein Okular wie herkömmliche Mikroskope. Stattdessen "sieht" der Kamerasensor die Proben mit 10-facher Vergrößerung und das Bild wird auf dem Computerbildschirm angezeigt. Dadurch macht das Betrachten Spaß, die Nacken- und Augenermüdung wird verringert und das leichte Teilen mit anderen wird ermöglicht. Sie können das Mikroskop während einer Betrachtung außerhalb eines Labors in der Hand halten oder den inbegriffenen Profiständer für eine präzise Freihand-Betrachtung nutzen. Die Aufnahme von Standbildern und Videos ist ein Kinderspiel. Mit der inbegriffenen Micro Capture Pro Software von Celestron können Bilddateien schnell und einfach gespeichert, übertragen und geteilt werden.

Nehmen Sie sich die Zeit, die einfachen Hinweise zu Pflege und Instandhaltung in diesem Handbuch durchzulesen, um sicherzustellen, dass Ihr digitales Handmikroskop Pro jahrelang einen hohen Qualitätsstandard beibehält.

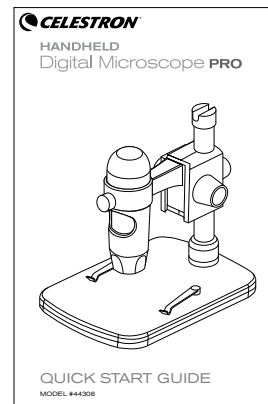
A. PACKUNGSINHALT



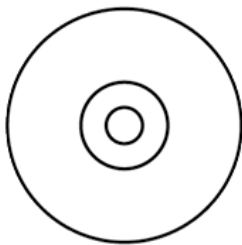
(1) Mikroskop



(1) Profiständer



(1) Schnellaufbauanleitung



(1) CD

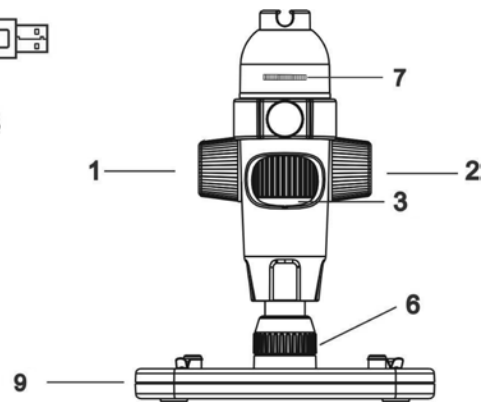
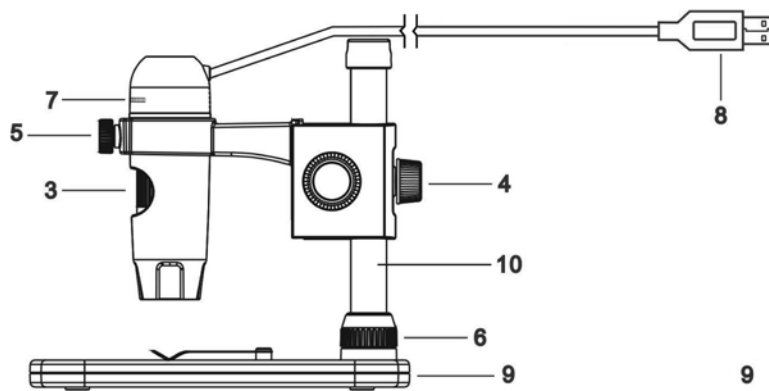
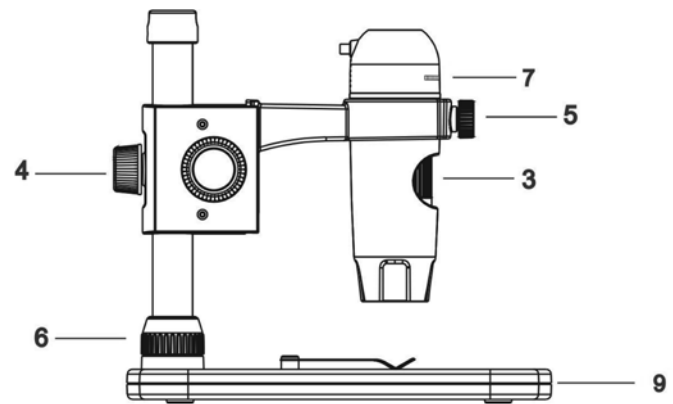


(1) Kalibrierungslinial

B. TEILE

NR. FUNKTION

1.	Verriegelungsrade
2.	Höheneinstellrad
3.	Fokussierade
4.	Höheneinstellungs-Verriegelungsmutter
5.	Mikroskophalterungs-Verriegelungsmutter
6.	Schaftanschluss-Verriegelungskranz
7.	Beleuchtungseinstellrad
8.	USB-Stecker
9.	Tischsocket
10.	Halterungsschaft



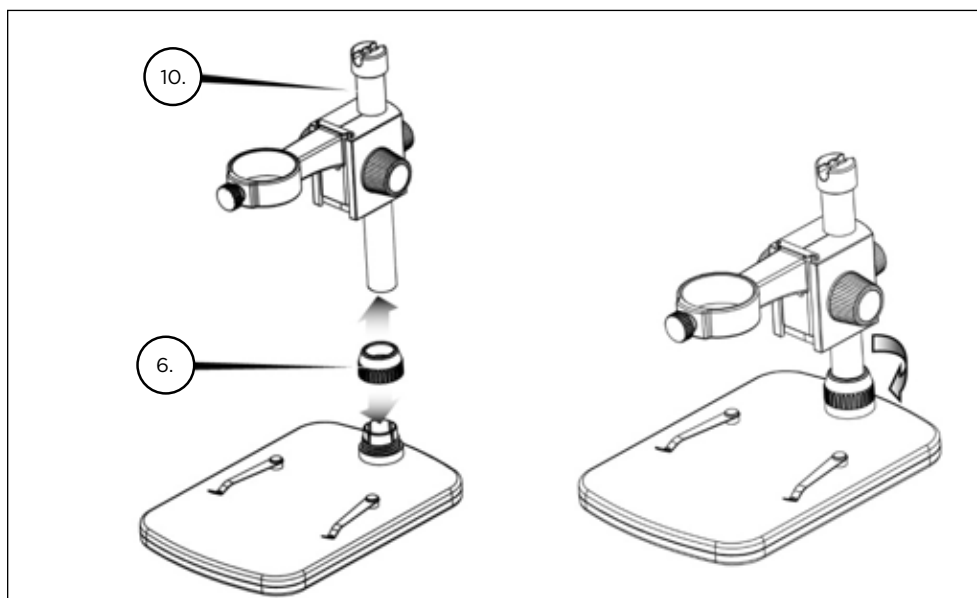
C. TECHNISCHE DATEN

SKU	44308
Kamerasensorgroße	5 MP (Megapixel)
Ständer	Profiständer mit einstellbarer Höhe
Objektiv	5-Elemente-Infrarotsperre, Qualitätsglas/EFL (äquivalente Brennweite): 15,8mm /FOV: 13.0°
Reichweite des Okularauszugs	10 mm bis unendlich
Licht	Oberer Ring – 8 helle weiße, einstellbare LEDs
Vergrößerung	20- bis 200-fach
Auslöser	In der software
Standbildauflösung	2592x1944 (5MP), 2320x1744 (4MP), 2048x1536 (3MP), 1920x1080 (2MP), 1280x1024 (1.3MP)
Videauflösung	Min. 1280x1024 @15fps; Max. 2592x1944 @10fps
Computerschnittstelle	2.0 USB
Software	Micro Capture Pro von Celestron (mit Funktionen zum Messen und Anfügen von Anmerkungen)
Unterstütztes Betriebssystem	Windows: Windows 7/8/10 Mac: OSX 10.12 (Sierra)
Software-Sprachen	(12) Englisch, Deutsch, Französisch, Spanisch, Russisch, Italienisch, Portugiesisch, Niederländisch, Polnisch, Japanisch, Koreanisch und Chinesisch
Mindest-Systemanforderungen	512 MB RAM/ 64 M Videospeicher/ Freier USB-Port/ CD-ROM-Laufwerk
Maße	Mikroskop: 110 x 35 mm (4,33"x 1,38") Stand: 175 x 140 x 110 mm (6,90"x 5,51"x 4,33")
Gewicht	2 lbs (907 Gramm), einschließlich Sockel und Verpackung

2. EINRICHTEN

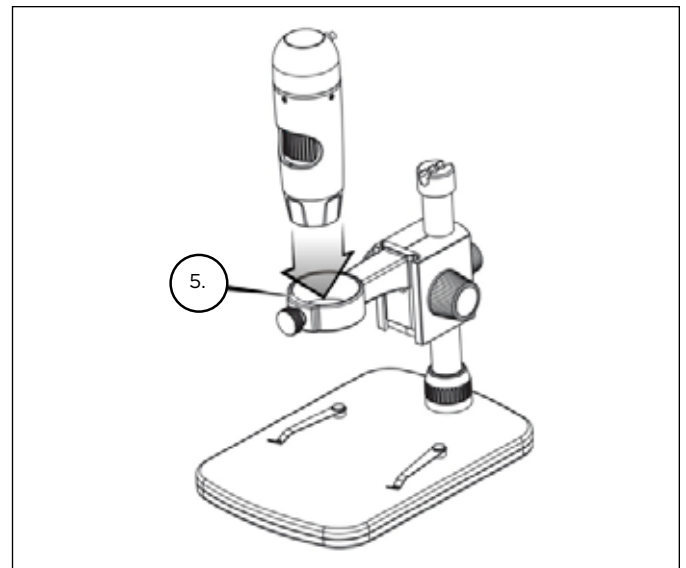
A. MONTAGE DES MIKROSKOPSTÄNDERS

- + Entnehmen Sie vorsichtig alle Bauteile aus dem Karton.
- + Schieben Sie den Schaftanschluss-Verriegelungskranz (6) auf den Halterungsschaft (10).
- + Bringen Sie den Schaftanschluss-Verriegelungskranz (6) an die Sockelgewinde an und ziehen Sie ihn fest.



B. ANBRINGEN DES MIKROSKOPS

- + Führen Sie das Mikroskop in die Mikroskophalterung ein und ziehen Sie die Verriegelungsmutter (5) an, um es zu fixieren.



C. SORTWAREINSTALLATION - WINDOWS

- + Legen Sie die Micro Capture Pro-CD in das CD-ROM-Laufwerk ein. Folgende Oberfläche wird automatisch angezeigt:
- + Klicken Sie auf die Schaltfläche "Capture Pro" installieren und folgen Sie dem Einrichtungsassistenten, der Sie durch die Installation führt.

D. SORTWAREINSTALLATION - MACINTOSH

- + Öffnen Sie den MAC-Ordner der inbegriffenen CD und installieren folgende Bildschirm-Eingabeaufforderungen.
- + Um die Videoaufnahme zu beginnen, auf dem Capture-Menü klicken und scrollen Sie zum Video. Wiederholen, um die Aufnahme zu stoppen.
- + Schließen Sie das digitale Handmikroskop Pro an und öffnen Sie die Micro Capture Pro-Software von Celestron. Sie können Ihr Mikroskop nun verwenden.

ANMERKUNG: Die Software-Oberfläche ist mit der PC-Version identisch, weist jedoch eine etwas andere Aufmachung auf.



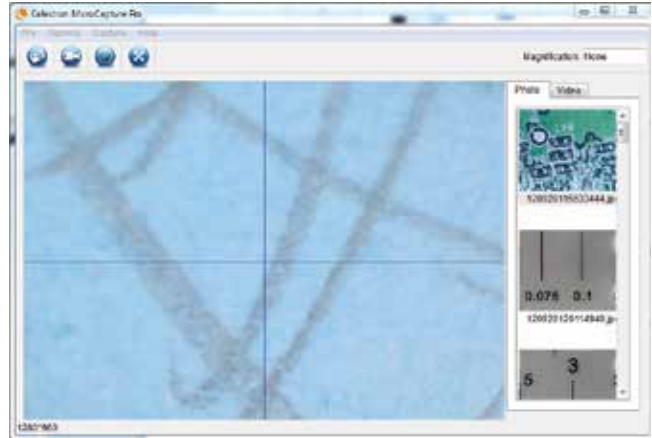
3. DAS MIKROSKOP VERWENDEN

A. ANSCHLUSS

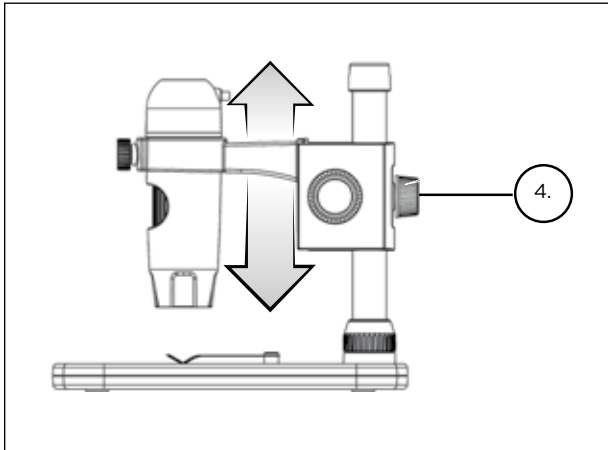
- + Schließen Sie das Mikroskop per USB 2.0-Kabel an Ihren Computer an.
- + Klicken Sie das Desktop-Symbol Micro Capture Pro an, um die Software zu starten.
- + Ihr Mikroskop sollte automatisch verbunden werden und Bilder streamen.



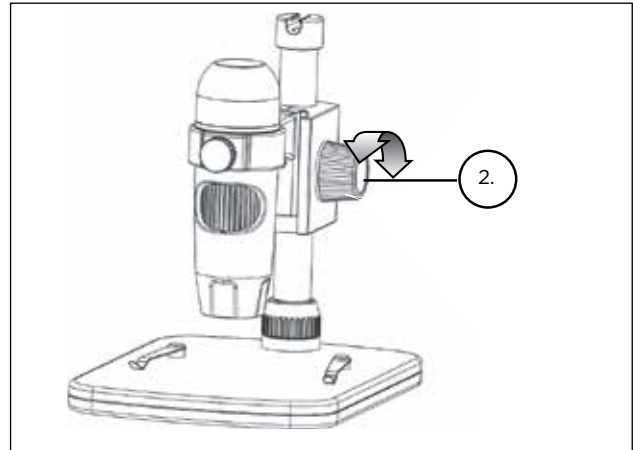
ANMERKUNG: Wenn das Mikroskop nicht an den USB-Port angeschlossen ist, wird folgende Fehlermeldung angezeigt: "Kein Gerät erkannt. Schließen Sie Ihr Mikroskop bitte direkt an einen freien USB-Port an."



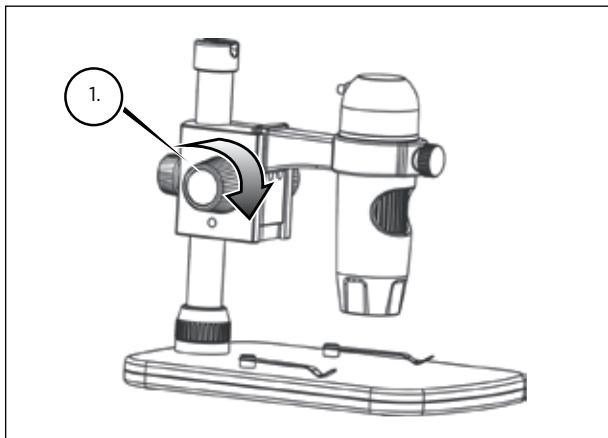
B. SCHWERPUNKT



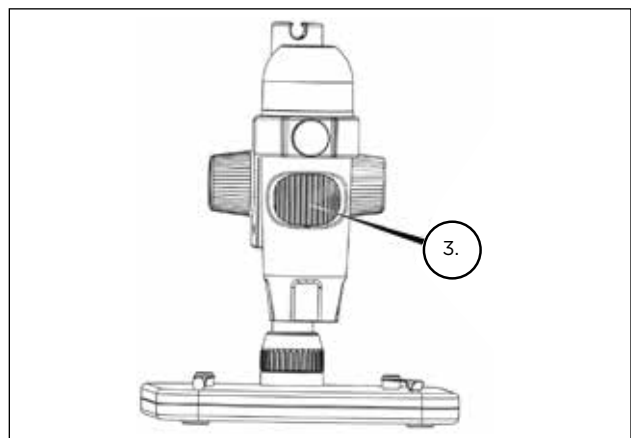
- + Verwenden Sie zum Scharfstellen eines Bildes den inbegriffenen Ständer:
- + Passen sie die Höhe der beweglichen Mikroskophalterung an.
- + Ziehen Sie zum Feststellen der Höhen die Verriegelungsmutter (4) an.



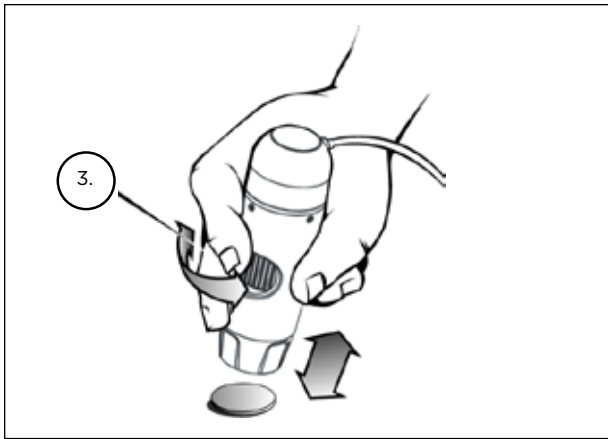
- + Drehen Sie zum Einstellen der groben Schärfe am Höheneinstellrad (2).



- + Sobald eine zufriedenstellende Position erreicht ist, wird das Verriegelungsräd (1) angezogen, um die Halterung zu fixieren.



- + Jetzt wird das Fokussierad (3) gedreht, um die feine Schärfe einzustellen.

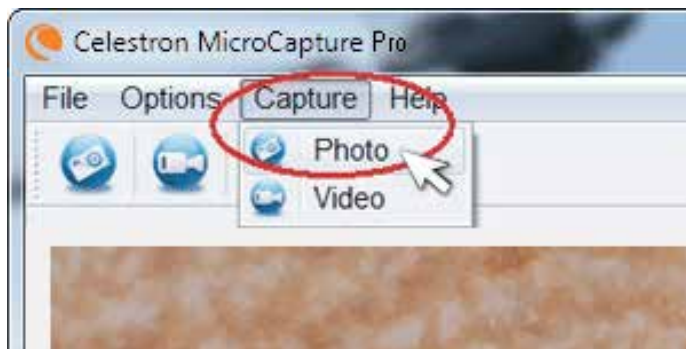


- + Wenn das Mikroskop mit der Hand gehalten wird, wird die grobe Schärfe eingestellt, indem der Abstand zwischen dem Mikroskop und Ihrem Objekt verändert wird. Passen Sie die feine Schärfe mit dem Fokussierrad (3) an.

4. NUTZUNG DER SOFTWARE

A. EIN FOTO/VIDEO AUFNEHMEN

- + Klicken Sie zum Aufnehmen eines Fotos auf das Aufnahmemenü und scrollen Sie abwärts zu Foto.
- + Klicken Sie zum Aufnehmen eines Videos auf das Aufnahmemenü und scrollen Sie abwärts zu Video. Wiederholen, um die Aufnahme zu beenden.



B. ANDERE MENÜPUNKTE

FILE: Unter dem Menüelement Datei finden Sie:

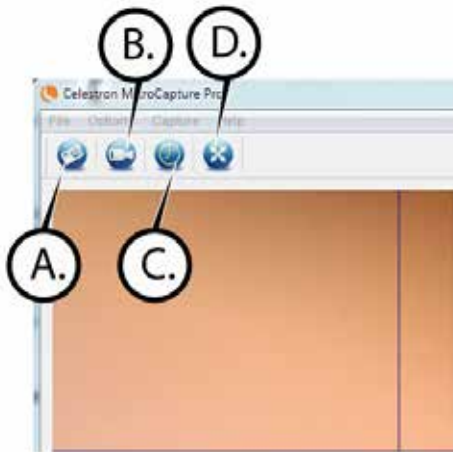
1. Fotoverzeichnis: Führt Sie zum Erstellen eines Ordners auf Ihrer Festplatte, in den Fotos gespeichert werden.
2. Videoverzeichnis: Führt Sie zum Erstellen eines Ordners auf Ihrer Festplatte, in den Videos gespeichert werden.
3. Verlassen: Schließt die Micro Capture Pro-Software.

OPTIONEN: Unter dem Menüpunkt Optionen, finden Sie:

1. Auflösung: Stellt die Sensorbildauflösung ein. 4 Auflösungseinstellungen stehen zur Auswahl:
 - 1280 x 960 (1,3 MP)
 - 1600 x 1200 (2 MP)
 - 2048 x 1536 (3 MP)
 - 2592 x 1944 (5 MP)
2. Datum/Uhrzeit: Schaltet den Datums- und Uhrzeitstempel an bzw. aus.
3. Sprache: Ändert die Spracheinstellung: 12 Sprachen stehen zur Auswahl:
 - Englisch, Deutsch, Französisch, Spanisch, Russisch, Italienisch, Portugiesisch, Niederländisch, Polnisch, Japanisch, Koreanisch und Chinesisch
4. X-Y-Führung: Schaltet die Fadenkreuz-Führung auf dem Vorschaubildschirm an bzw. aus.
5. Vollbildmodus: Ruft den Vollbildmodus auf. Zum Verlassen auf ESC drücken.

ICONS: Zusammen mit den Menüpunkten gibt es Symbole, die folgendes bedeuten:

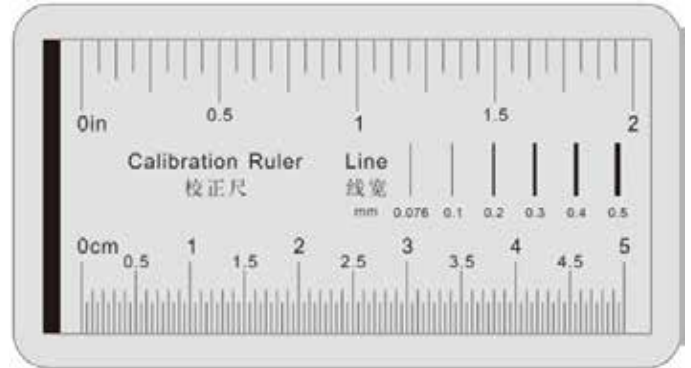
- A. Nehmen Sie Snap Shot
- B. Video starten. Stoppen Video
- C. Set Time Lapse Intervalle
- D. Full Screen-Modus (ESC gehen Sie zurück zum Hauptbildschirm)



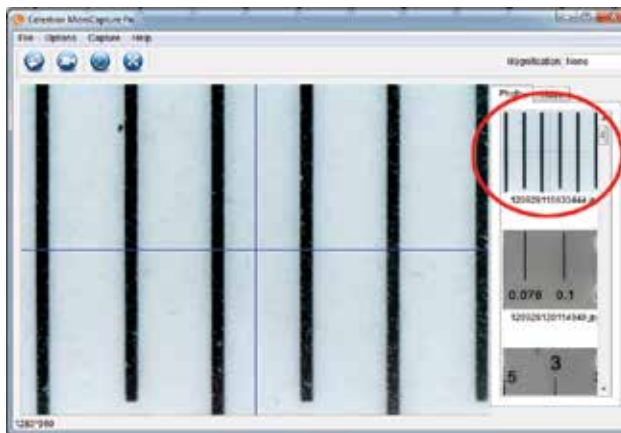
C. KALIBRIERUNG UND MESSUNGEN



- + Die Micro Capture Pro-Software von Celestron enthält eine Messfunktion. Um diese Funktion nutzen zu können, muss zuvor eine Messkalibrierung durchgeführt werden.
- + Vergewissern Sie sich, dass die X-Y-Führung auf "An" gestellt ist, indem sie im Optionsmenü ausgewählt wurde.



- + Stellen Sie die Mikrophöhe ein und stellen Sie Ihre Probe scharf. Ersetzen Sie nun Ihre Probe durch das Kalibrierungslinial.
- + Passen Sie den Fokus an und richten Sie das Kalibrierungslinial aus, sodass die Linien auf dem Linial parallel zur vertikalen Linie auf der X-Y-Führung laufen.



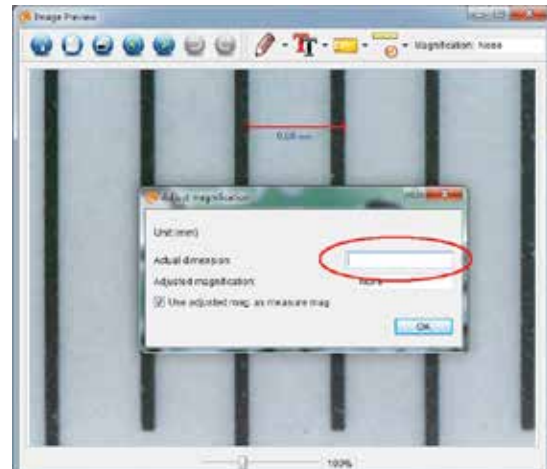
- + Nehmen Sie ein Standbild auf. Das Bild wird in der rechten Bildschirmspalte angezeigt.




- + Das gespeicherte Bild doppelklicken, um es im Bildvorschaubildschirm zu öffnen.



- + Auf das Kalibrierungssymbol klicken.
- + Eine Linie anklicken und über einen "bekannten Wert" auf dem Linealbild ziehen. Versuchen Sie dabei, die Linie so senkrecht wie möglich zu den Linien auf dem Lineal zu halten.
- + Das Fenster "Vergrößerung anpassen" erscheint wie unten dargestellt.
- + Geben Sie den bekannten Wert vom Kalibrierungslinial in den Kasten "Tatsächliche Maße" ein.



+ Um sicherzustellen, dass die Kalibrierung erfolgreich war, zum Bildaufnahmebildschirm zurückkehren.

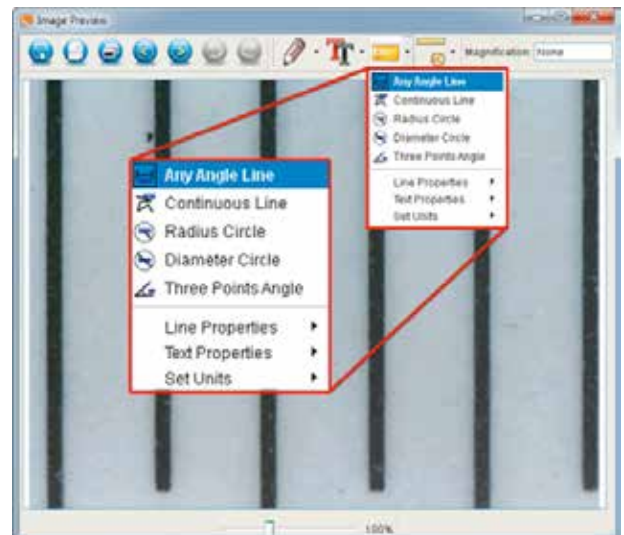
+ Klicken Sie auf das Linealsymbol  und wählen Sie auf dem Aufklappenmenü die Option "Beliebige Winkellinie" an.

+ Eine Linie anklicken und wie zuvor über denselben "bekannten Wert" ziehen.

+ Wenn die Kalibrierung erfolgreich war, sollte der Abstand messen Sie genau zu sein auf die "bekannten Wert".

+ Klicken Sie zum Aufnehmen von Bildern ohne die Anpassung von Höhe oder Vergrößerung auf das Kalibrierungssymbol. Wählen Sie im Aufklappenmenü "Vergrößerung einstellen" und anschließend "Aufnahme-Vergrößerung einstellen".

+ Ein Pop-up-Fenster öffnet sich. Geben Sie die oben rechts im Hauptfenster angezeigte Vergrößerung ein.



D. MESSWERKZEUGE

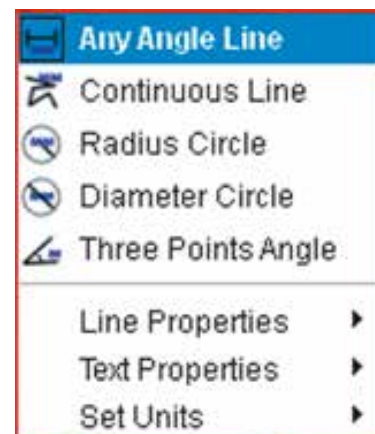
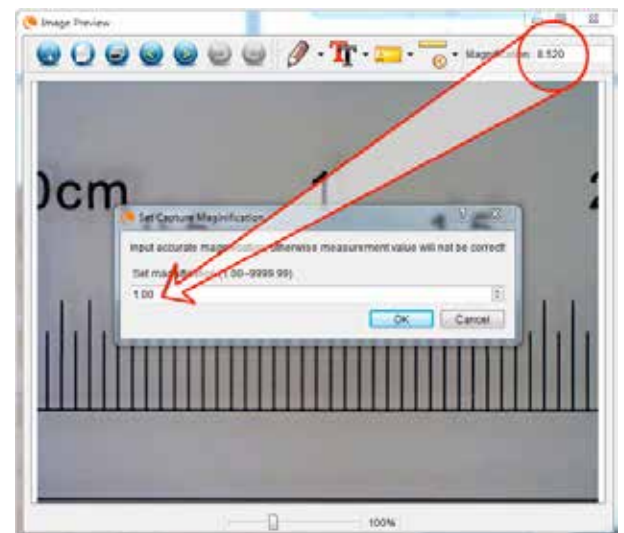
Sie werden in der Mess-Dropdown-Menü gibt es viele Tools bemerken. Hier ist die Liste der Messungen können Sie:

MAIN

1. Beliebiger Winkel: Misst in gerader Linie von Punkt A zu Punkt B.
2. Durchgehende Linie: Misst den Gesamtabstand zwischen mehreren Punkten. Es wird zuerst eine gerade Linie von Punkt A zu Punkt B gemessen. Anschließend anklicken und zur durchgehenden Messung von Punkt B zu Punkt C ziehen. (Dies kann beliebig oft wiederholt werden.)
3. Kreis mit Radius: Misst den Radius eines Kreises. Ziehen Sie den Cursor ausgehend von der Mitte nach außen auf ein beliebiges Randstück.
4. Kreis mit Durchmesser: Misst den Durchmesser eines Kreises. Ziehen Sie den Cursor ausgehend von einem äußeren Rand über den gegenüberliegenden Rand.
5. Dreipunktewinkel: Misst einen Winkel zwischen zwei Punkten, ausgehend von einem Radius- oder einem Schnittpunkt. Klicken Sie auf einen Punkt A (Radiuspunkt), ziehen und klicken Sie auf Punkt B und klicken Sie anschließend auf Punkt C. Der Winkel wird gezeichnet und die Winkelangabe (Grad) wird angezeigt.

EINSTELLUNGEN

1. Linieneigenschaften: Ändert die Einstellungen der Linienart, -breite, -größe- und -farbe.
2. Texteingenschaften: Ändert die Einstellungen der Schriftart, -größe-, des Stils sowie der Farbe.
3. Einheiten einstellen: Ändert die Einstellung von Einheiten. Zur Auswahl stehen Millimeter, Zentimeter, Pixel und Zoll.



E. ANMERKUNGEN HINZUFÜGEN UND BILDER MARKIEREN

Die Micro Capture Pro beinhaltet Funktionen zum Markieren, Zeichnen und/oder Hinzufügen von Anmerkungen in gespeicherten Bildern. Damit können Sie praktischerweise schnell Anmerkungen hinzufügen, um Merkmale Ihrer Probenbilder herauszustellen.

1. KENNZEICHNUNG

+ Klicken Sie für diese Funktion im Bildvorschauenfenster auf das Zeichnen-Symbol 

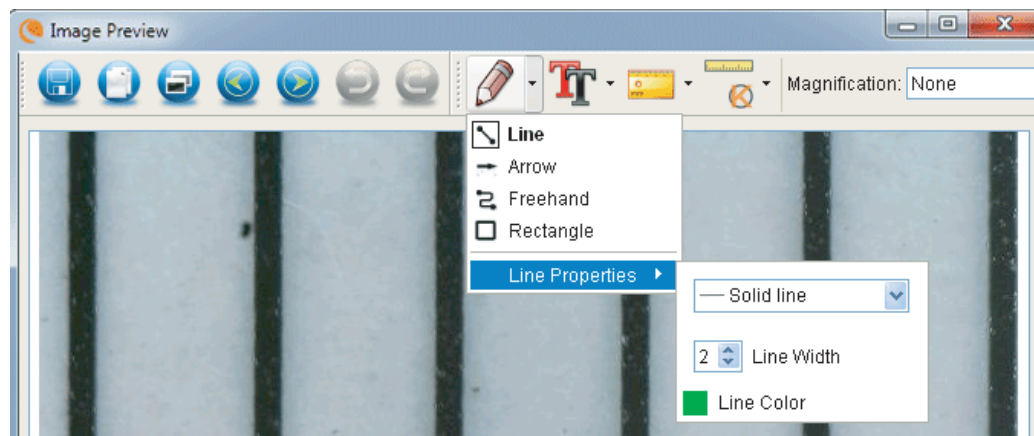
+ Die Optionen des Lineal-Aufklappmenüs umfassen:

MAIN


1. Linie: Zeichnet auf dem Bild eine gerade Linie.
2. Pfeil: Zeichnet auf dem Bild eine Linie mit Pfeil.
3. Freihand: Ermöglicht dem Benutzer das Freihandzeichnen. Damit können schnell handgeschriebene Notizen hinzugefügt werden.
4. Rechteck: Zeichnet einen Kasten. Hiermit können Besonderheiten des Bilder hervorgehoben und Texte umrahmt werden.

EINSTELLUNGEN

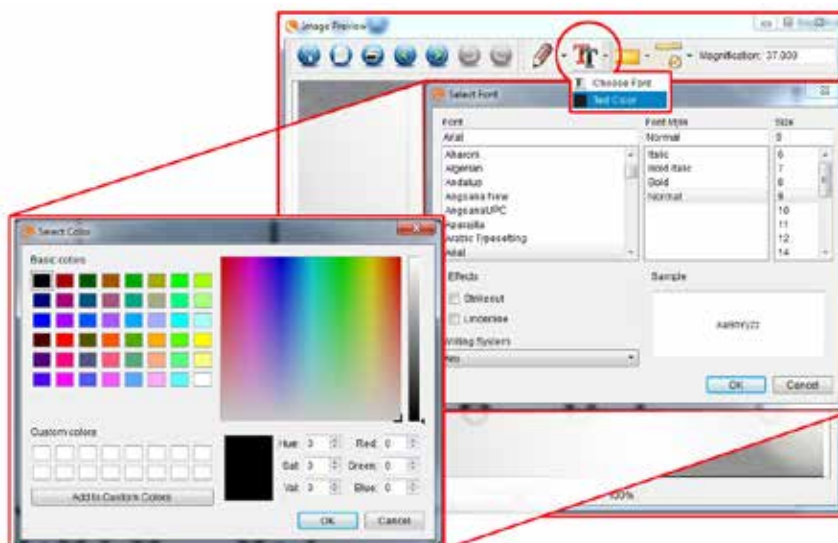
1. Linieneigenschaften: Ändert die Einstellungen der Linienart, -größe- und -farbe.



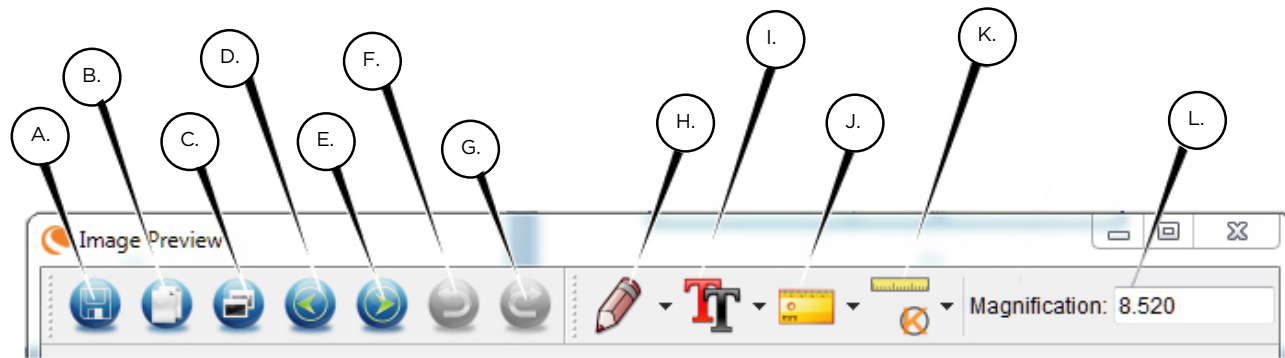
2. HINZUFÜGEN VON TEXT

+ Wählen Sie zum Eintippen von Anmerkungen auf dem Bild auf das Tippen-Symbol 

+ Im Aufklappmenü können Schriftart, -größe und -farbe gewählt werden.



F. BILDVORSCHAU ICONS ERKLÄRT



- A. Speichern: Speichern Sie die Datei
- B. In den Zwischenspeicher kopieren: Kopieren Sie in einem anderen Programm öffnen
- C. Kopieren: Speichern als Kopie
- D. Vorigen: Bringt Sie zurück zum vorherigen Bild in Ordner zum Speichern
- E. Nächstes: Bringt Sie uns auf dem nächsten Bild in Speicherordner
- F. Rückgängig: Bringt Sie einen Schritt zurück
- G. Wiederholen: Nimmt man einen Schritt vorwärts
- H. Zeichnen
- I. Text/Anmerkungen
- J. Messen
- K. Kalibrierung
- L. Aktuelle Vergrößerung (basierend auf der letzten Kalibrierung)

5. PFLEGE UND INSTANDHALTUNG

Ihr digitales Handmikroskop Pro von Celestron ist ein präzises optisches Instrument und sollte zu jeder Zeit mit Vorsicht behandelt werden. Befolgen Sie diese Vorschläge, und ihr Mikroskop wird während seiner Lebensdauer nur sehr wenig Wartung benötigen.

- + Lagern Sie Ihr Mikroskop an einem trockenen und sauberen Ort.
- + Verwenden Sie Ihr Mikroskop keinesfalls an Orten, an denen die Bedienung solcher Geräte beschränkt ist. Unsachgemäße Nutzung führt zur Gefahr von schweren Unfällen.
- + Nutzen Sie Ihr Mikroskop lediglich in einem Temperaturbereich von 23 ° bis 120 °F (-5 ° bis 50 °C). Vermeiden Sie plötzliche Temperaturveränderungen, da diese Feuchtigkeit im Mikroskopgehäuse hervorrufen können.
- + Versuchen Sie nicht, an die internen Komponenten Ihres Mikroskops zu gelangen oder es in irgendeiner Weise zu modifizieren. Nur autorisierte Techniker sollten Wartungs- oder Reparaturarbeiten vornehmen.
- + Halten Sie Ihr Mikroskop von Wasser und anderen Flüssigkeiten fern. Verwenden Sie es keinesfalls im Regen oder Schnee. Feuchtigkeit führt zur Brand- oder Stromschlaggefahr.
- + Wenn die Außenflächen Ihres Mikroskops gereinigt werden müssen, können Sie diese mit einem feuchten Tuch abwischen.

6. GEWÄHRLEISTUNG

Ihr digitales Handmikroskop Pro verfügt über eine zweijährige eingeschränkte Gewährleistung. Besuchen Sie bitte für weitere Informationen bezüglich Celestron-Mikroskopen die Celestron-Website.

celestron.com



©2018 Celestron • Alle Rechte vorbehalten • celestron.com
2835 Columbia Street • Torrance, CA 90503 U.S.A.
Telefon: 1 (800) 421-9649 • Gedruckt in China 2018



FCC-Erklärung: Dieses Gerät wurde getestet und entspricht den Grenzwerten für digitale Geräte der Klasse B in Übereinstimmung mit Artikel 15 der FCC-Bestimmungen. Diese Grenzwerte sollen einen angemessenen Schutz vor Störungen in Wohngebieten bieten. Dieses Gerät erzeugt, verwendet Hochfrequenzenergie und kann diese ausstrahlen und kann, wenn es nicht in Übereinstimmung mit den Anweisungen installiert und verwendet wird, Störungen im Funkverkehr verursachen. Es kann jedoch keine Garantie gegeben werden, dass in einer bestimmten Installation keine Störungen auftreten können. Falls dieses Gerät Störungen beim Radio- oder Fernsehempfang verursacht, was durch ein vorübergehendes Ausschalten des Geräts festgestellt werden kann, wird der Benutzer dazu angehalten, die Störung durch eine oder mehrere der nachstehenden Maßnahmen zu beheben:

- + Die Empfangsantenne verlegen oder neu ausrichten.
- + Den Abstand zwischen dem Gerät und dem Empfänger vergrößern.
- + Das Gerät an eine andere Steckdose auf einem anderen Stromkreis als dem des Empfängers anschließen.
- + Den Händler oder einen erfahrenen Radio- und Fernsehtechniker um Hilfe bitten.

Dieses Gerät wurde für den Gebrauch von 14 Jahren und länger konzipiert. Design und technische Daten können ohne vorherige Ankündigung ändern. Überarbeitung B.

MICROSCOPIO

Digital Manual **PRO**



MANUAL DE INSTRUCCIONES

MODELO # 44308

1. INTRODUCCIÓN

Gracias por adquirir el Microscopio Digital Manual Pro de Celestron con sensor de 5MP y soporte profesional. Su microscopio es un instrumento óptico de precisión, fabricado con materiales de la mejor calidad para garantizar su resistencia y larga vida útil. Está diseñado para ofrecerle toda una vida de satisfacción con un mantenimiento mínimo.

Antes de intentar usar su microscopio, lea por completo las instrucciones y consulte los diagramas siguientes. Familiarizarse con las muchas funciones del microscopio manual Pro será de gran ayuda para disfrutar de su experiencia.

El microscopio digital manual Pro ofrece potencias bajas, desde 20x hasta 200x, y se conecta a su PC Macintosh o Windows por USB 2.0. (NOTA: Según el tamaño de su monitor puede obtener un aumento de hasta 800x) Este microscopio es un microscopio de baja potencia de aumento, adecuado para examinar especímenes como monedas, sellos, minerales, electrónica, insectos y otros objetos 3D. Los especímenes sobre portamuestras pueden verse, pero este microscopio no es idóneo para este fin. Puede ver algunos de nuestros microscópicos biológicos más adecuados para este tipo de observación en www.celestron.com.

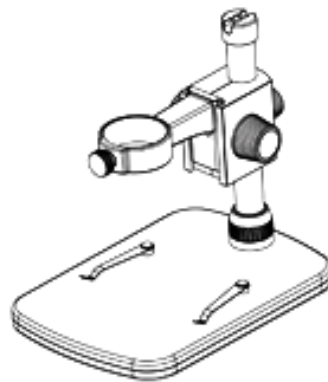
El Microscopio Digital Manual Pro de Celestron no usa un ocular como un microscopio tradicional. En su lugar, el sensor de la cámara "ve" el espécimen con un aumento de 10x, y la imagen se muestra en la pantalla del ordenador. Esto hace más divertida la observación, reduce los esfuerzos de ojos y nuca y permite compartir la observación con terceros fácilmente. Puede aguantar el microscopio con la mano cuando observe superficies de gran tamaño lejos de un entorno habitual de laboratorio, o usar el soporte profesional incluido para una observación más precisa sin usar las manos. Registrar capturas fotográficas y video es inmediato. Puede guardar, transferir y compartir sus archivos de imagen rápida y fácilmente con el software incluido Celestron Micro Capture Pro.

Tómese un tiempo para leer las sencillas recomendaciones de cuidados y mantenimiento de este manual para garantizar que el Microscopio Digital Manual Pro le ofrezca años de rendimiento de calidad.

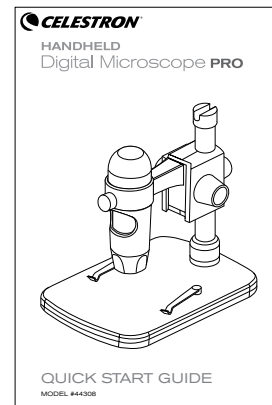
A. CONTENIDO DEL EMBALAJE



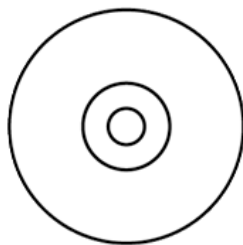
Microscopio (1)



Soporte profesional (1)



Guía de instalación rápida (1)



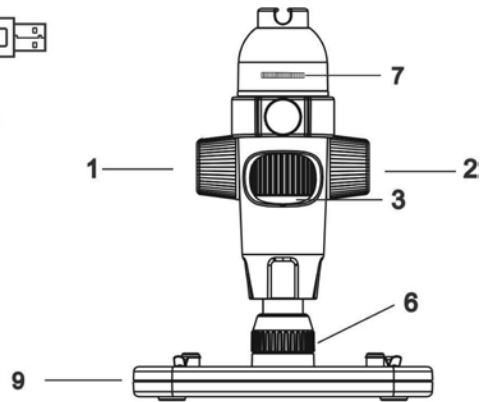
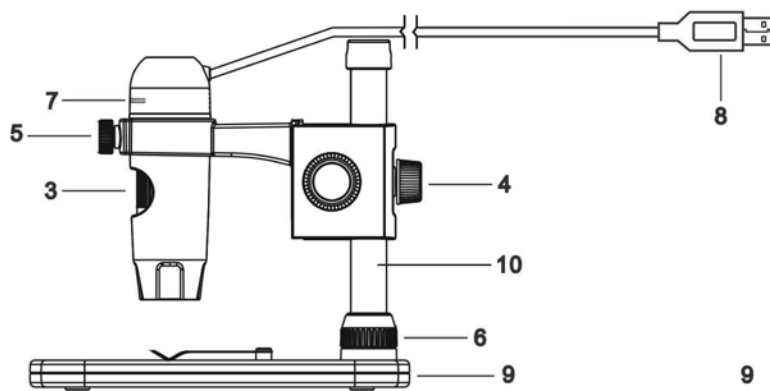
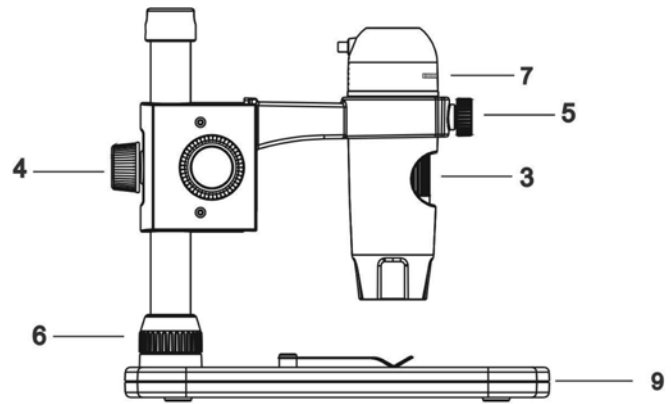
CD (1)



Regla de calibración (1)

B. PIEZAS

Nº.	FUNCIÓN
1.	Rueda de bloqueo
2.	Rueda de ajuste de altura
3.	Rueda de enfoque
4.	Rosca de bloqueo de ajuste de altura
5.	Rosca de bloqueo de soporte del microscopio
6.	Abrazadera de bloqueo de conexión del mástil
7.	Rueda de ajuste del iluminador
8.	Toma USB
9.	Base del soporte
10.	Mástil del soporte



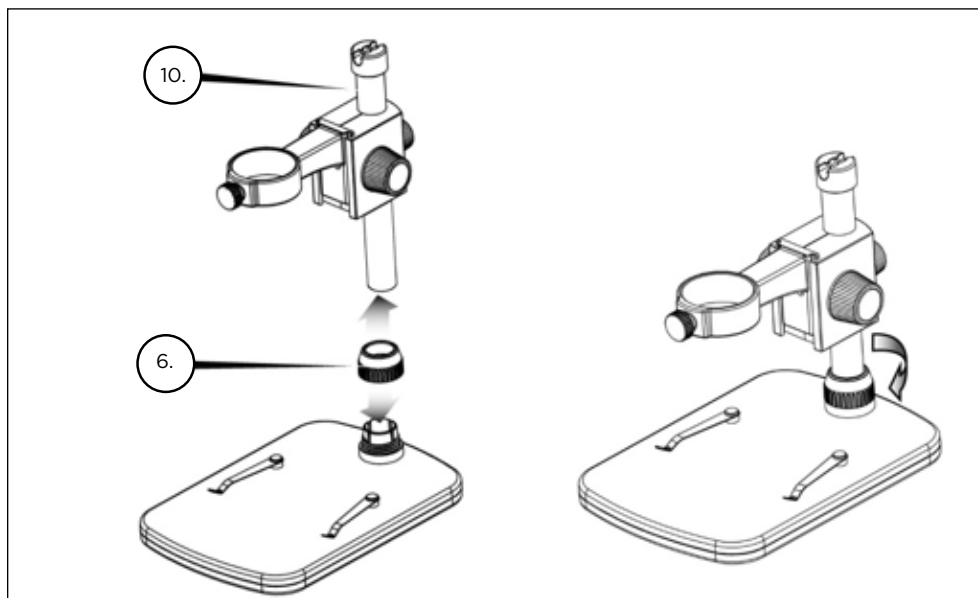
C. ESPECIFICACIONES TÉCNICAS

SKU	44308
Tamaño del sensor de cámara	5MP (megapíxeles)
Soporte	Soporte profesional con altura ajustable
Lente	Lente de cristal de 5 elementos de alta calidad con corte IR, DFE (distancia focal equivalente): 15,8mm, FOV: 13.0°
Alcance de enfoque	10mm a infinito
Iluminador	Arandela superior – 8 LED blancos brillantes ajustables
Aumento	20x a 200x
Activador del obturador	En el software
Resolución de imagen fija	2592x1944 (5MP), 2320x1744 (4MP), 2048x1536 (3MP), 1920x1080 (2MP), 1280x1024 (1.3MP)
Resolución video	Min. 1280x1024 @15fps; Max. 2592x1944 @10fps
Interfaz de ordenador	2.0 USB
Software	Celestron Portable Capture Pro con funciones de medición y anotación
Sistemas operativos soportados	Windows: 7/8/10 Mac: OSX 10.12 (Sierra)
Idiomas de software	(12) Inglés, Alemán, Francés, Español, Ruso, Italiano, Portugués, Holandés, Polaco, Japonés, Coreano, Chino
Requisitos mínimos del sistema	512MB RAM/ Memoria video de 64M / Puerto USB disponible / Unidad CD-ROM
Dimensiones	Microscopio: 110x35mm (4,33"x1,38") Soporte: 175x140x110mm (6,90"x5,51"x4,33")
Peso	2 lb (907 gramos), incluyendo base y embalaje

2. INSTALACIÓN:

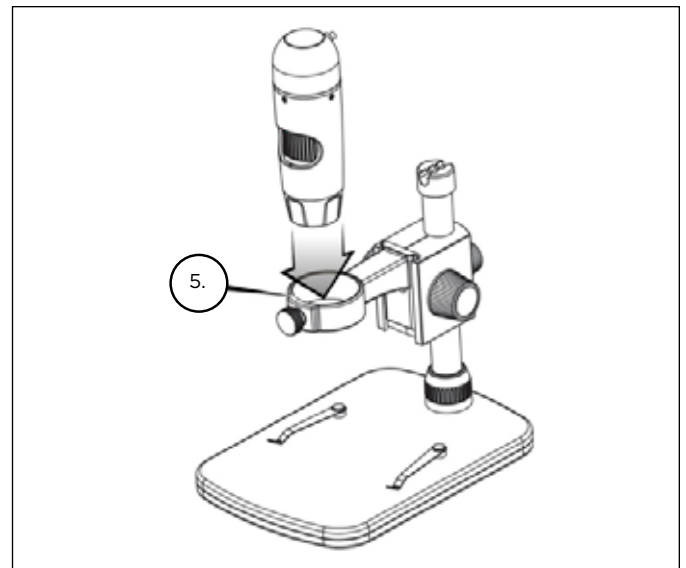
A. MONTAJE DEL SOPORTE DEL MICROSCOPIO

- + Saque cuidadosamente todos los componentes de la caja.
- + Ponga la arandela de bloqueo de la conexión del mástil (6) sobre el mástil del soporte (10).
- + Ponga la arandela de bloqueo de la conexión del mástil (6) sobre las estrías de la base y apriétela.



B. COLOCACIÓN DEL MICROSCOPIO

- + Introduzca el microscopio en el soporte del microscopio y apriete la rosca de bloqueo (5) para fijarlo en posición.



C. INSTALACIÓN DE SOFTWARE - WINDOWS

- + Introduzca el CD de Micro Capture Pro en la unidad CD-ROM. Se mostrará automáticamente la interfaz siguiente:
- + Pulse en el botón "Install Capture Pro" y siga el asistente de instalación que le orientará durante el proceso.

D. INSTALACIÓN DE SOFTWARE - MACINTOSH

- + Abra la carpeta MAC del CD incluido e instale según las siguientes indicaciones en pantalla.
- + Para comenzar la grabación de vídeo, haga clic en el menú captura y desplácese a Vídeo. Repetir para detener la grabación.
- + Conecte el microscopio digital manual Pro y abra el software Celestron Micro Capture Pro. El microscopio estará listo para usarlo.

NOTA: La interfaz del software es idéntica a la versión PC, pero tendrá un aspecto ligeramente distinto.



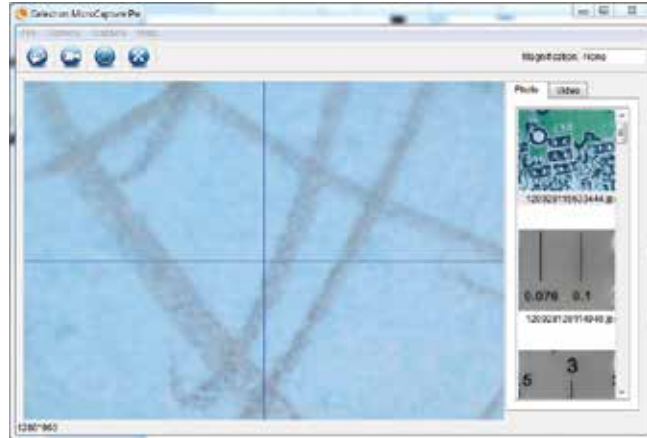
3. COMENZAR A USAR EL MICROSCOPIO

A. CONEXIÓN

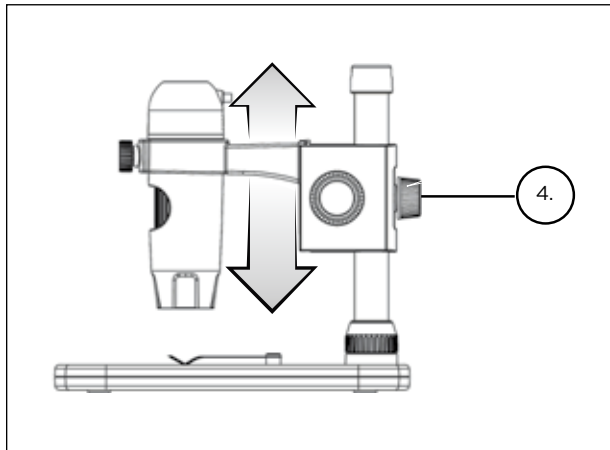
- + Conecte el microscopio al ordenador con el cable USB 2.0.
- + Pulse en el icono del escritorio Micro Capture Pro para ejecutar el software.
- + El microscopio debería conectar automáticamente y comenzar a enviar imagen.



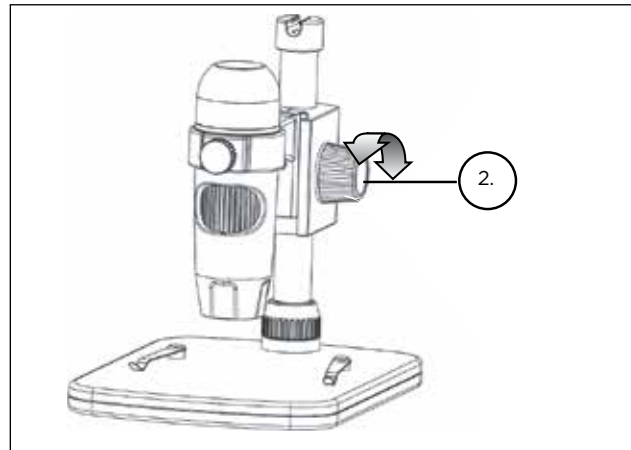
NOTA: Si el microscopio no está conectado al puerto USB, se mostrará el siguiente mensaje de error: "No se detecta dispositivo. Conecte el microscopio directamente a un puerto USB disponible."



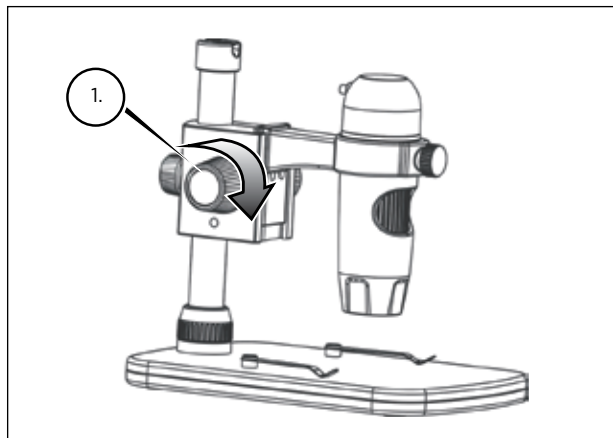
B. ENFOQUE



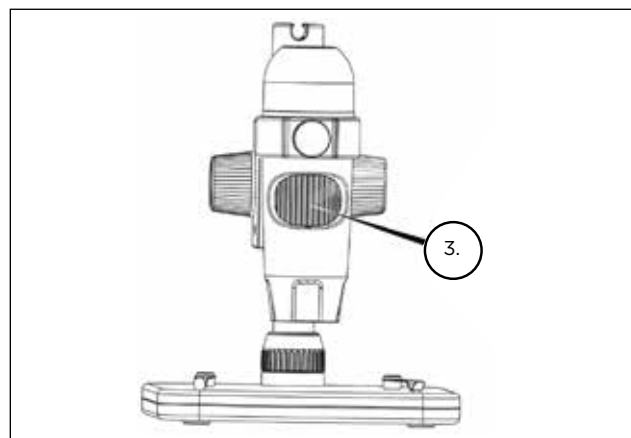
- + Para enfocar una imagen con el soporte incluido:
- + Ajuste la altura del soporte que aguanta el microscopio.
- + Fije la rosca de bloqueo de ajuste de altura del soporte (4) para aguantarlo en posición.



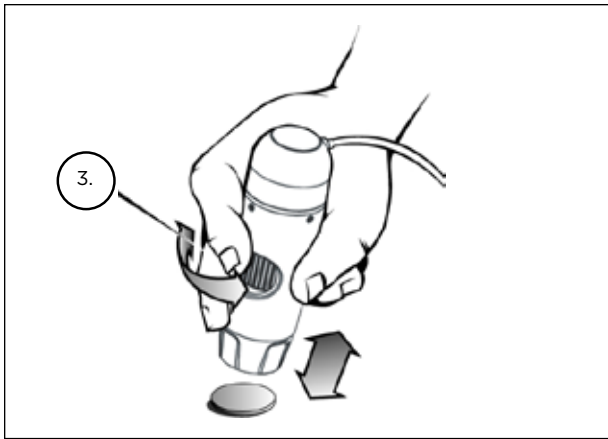
- + Gire la rueda de ajuste de altura (2) para establecer el enfoque aproximado.



- + Cuando esté satisfecho con la posición, fije la rueda de bloqueo (1), fijando el soporte en posición.



- + Gire la rueda de enfoque (3) para establecer el enfoque preciso.



+ Cuando use el microscopio en modo manual, ajuste el enfoque aproximado cambiando la distancia entre el microscopio y el objeto. Ajuste el enfoque preciso con la rueda de enfoque (3).

4. USO DEL MICROSCOPIO:

A. CAPTURAR FOTO/VIDEO

+ Para tomar una foto, pulse en el menú Captura y vaya a la opción Foto.

+ Para comenzar a grabar un video, pulse en el menú Captura y vaya a la opción Video. Repita para detener la grabación.



B. OTROS ELEMENTOS DE MENÚ

ARCHIVO: Bajo el punto del menú Archivo, se encuentran:

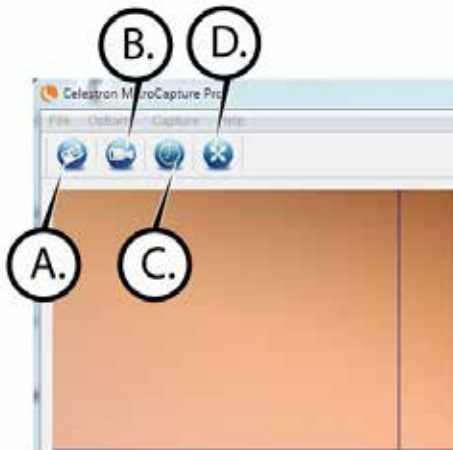
1. Directorio de fotos: Le lleva a designar una carpeta en el disco duro para guardar las fotos.
2. Directorio de video: Le lleva a designar una carpeta en el disco duro para guardar el video.
3. Salir: Cierra el software Micro Capture Pro.

OPCIONES: Bajo el punto del menú Opciones, se encuentran:

1. Resolución: Establece la resolución de imagen del sensor. Puede elegir entre 4 resoluciones:
 - 1280 x 960 (1,3 MP)
 - 1600 x 1200 (2 MP)
 - 2048 x 1536 (3 MP)
 - 2592 x 1944 (5 MP)
2. Fecha / Hora: Activa o desactiva la marca de fecha y hora.
3. Idioma: Cambia la selección del idioma. Puede elegir entre 12 idiomas:
 - Inglés, Alemán, Francés, Español, Ruso, Italiano, Portugués, Holandés, Polaco, Japonés, Coreano y Chino
4. Guía X,Y: Activa o desactiva la guía de retícula en la pantalla de vista previa.
5. Modo pantalla completa: Accede al modo pantalla completa. Pulse ESC para salir.

ICONOS: Junto con los elementos del menú, hay iconos que significan lo siguiente:

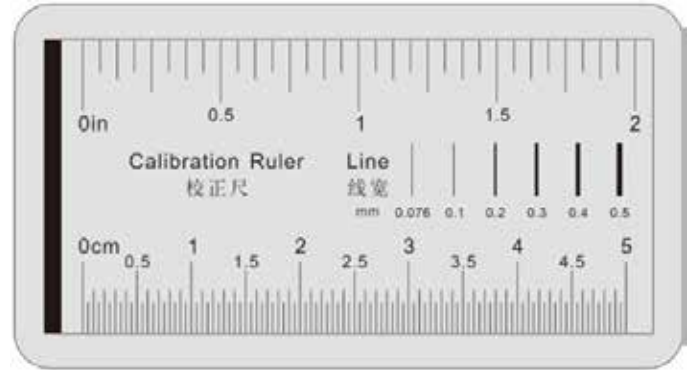
- A. Tome Snap Shot
- B. Ver la película Video. Stop Video
- C. Establecer intervalos Lapso de tiempo
- D. Modo de pantalla completa (pulse ESC para volver a la pantalla principal)



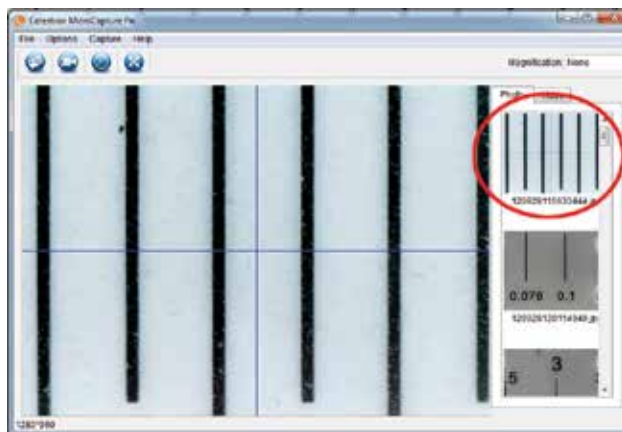
C. CALIBRACIÓN Y MEDICIÓN



- + El software Celestron Micro Capture Pro incluye una función de medición. Para usar esta función debe realizar primero una calibración de medición.
- + Asegúrese de que la Guía X,Y esté en "Activado" seleccionándola en el menú Opciones.



- + Establezca la altura del microscopio y enfoque el espécimen. Sustituya a continuación el espécimen por la regla de calibración.
- + Reajuste el foco y alinee la regla de calibración de forma que las líneas estén paralelas con la línea vertical de la guía X,Y.



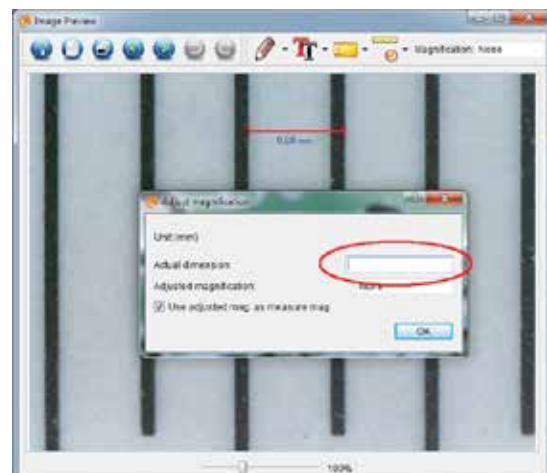
- + Tome una imagen fija. La imagen se mostrará en la columna del lado derecho de la pantalla.



- + Pulse dos veces en la imagen guardada para abrirla en la pantalla de vista previa de imagen.



- + Pulse en el icono de Calibración
- + Pulse y arrastre una línea cruzando un "valor conocido" de la imagen de la regla. Intente mantener la línea tan perpendicular a las líneas de la regla como sea posible.
- + Se mostrará la ventana emergente "Ajustar aumento" como se muestra a continuación.
- + En la casilla "Dimensiones reales", introduzca el "valor conocido" de la regla de calibración.



+ Para garantizar que la calibración haya tenido éxito, vuelva a la pantalla de Captura de imagen.

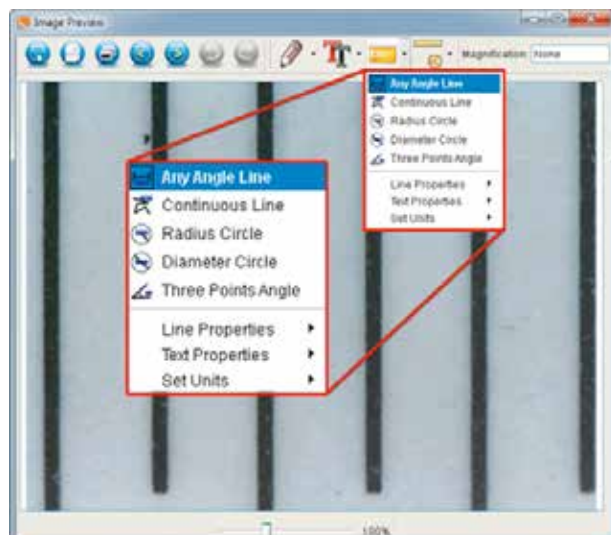
+ Pulse en el icono de regla  y seleccione en el menú desplegable la opción "Cualquier línea de ángulo."

+ Pulse y arrastre una línea cruzando el mismo "valor conocido" que anteriormente.

+ Si la calibración se ha realizado correctamente, la distancia a medir debe ser exacto al "valor conocido."

+ Para capturar imágenes sin cambiar la altura o el aumento, pulse en el icono Calibración. En el menú desplegable, seleccione "Establecer aumento" y luego "Establecer aumento de captura".

+ Se mostrará una ventana emergente. Introduzca el aumento mostrado en la esquina superior derecha de la ventana principal.

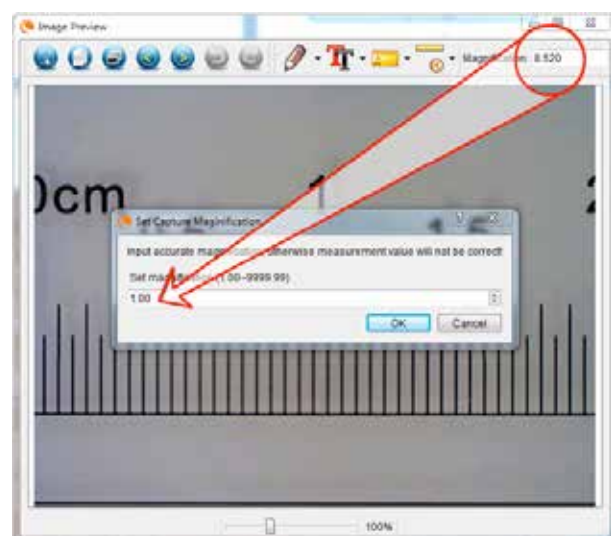


D. HERRAMIENTAS DE MEDICIÓN

Usted se dará cuenta del menú desplegable de medición hay muchas herramientas. Aquí está la lista de las medidas que usted puede tomar:

PRINCIPAL

1. Cualquier ángulo: Mide del punto A al punto B en línea recta.
2. Línea continua: Mide la distancia total entre múltiples puntos. Comience midiendo una línea recta del punto A al punto B. Luego, pulse y arrastre para continuar midiendo del punto B al punto C. (Puede repetirlo tantas veces como desee).
3. Radio de círculo: Mide el radio de un círculo: Comenzando por el centro, arrastre el cursor hasta cualquier borde.
4. Diámetro de círculo: Mide el diámetro de un círculo: Comenzando por un borde externo, arrastre el cursor hasta el borde opuesto.
5. Ángulo con tres puntos: Mide el ángulo entre dos puntos, comenzando desde un punto de radio o un punto de intersección. Pulse en el punto A (punto de radio), arrastre y pulse en el punto B, y pulse en el punto C. Se trazará el ángulo y se mostrarán los grados de éste.



CONFIGURACIÓN


1. Propiedades de línea: Cambia la configuración de tipo de línea, anchura, tamaño y color.
2. Propiedades de texto: Cambia la configuración de tipo de fuente, tamaño, estilo y color.
3. Unidades establecidas: Cambia la selección de unidades. Elija entre milímetros, centímetros, píxeles o pulgadas.



E. TOMAR NOTAS Y MARCAS EN LA IMAGEN

Micro Capture Pro incluye funciones para marcar, dibujar encima o añadir notas a las imágenes guardadas. Puede ser útil para tomar notas rápidamente e indicar características de la imagen de su espécimen.

1. MARCADO

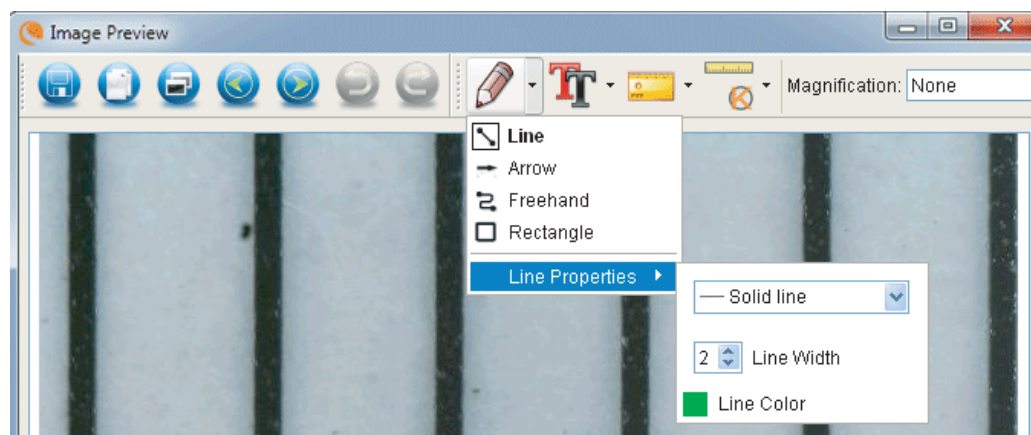
- + Para usar esta función pulse en el icono Dibujo  de la ventana de vista previa de imagen.
- + Todas las opciones del menú desplegable de dibujo son:

PRINCIPAL


1. Línea: Dibuja una línea recta sobre la imagen.
2. Flecha: Dibuja una línea con flecha sobre la imagen.
3. Libre: Permite al usuario dibujar libremente. Útil para notas manuscritas rápidas.
4. Rectángulo: Dibuja una caja. Útil para marcar características en la imagen o para enmarcar texto.

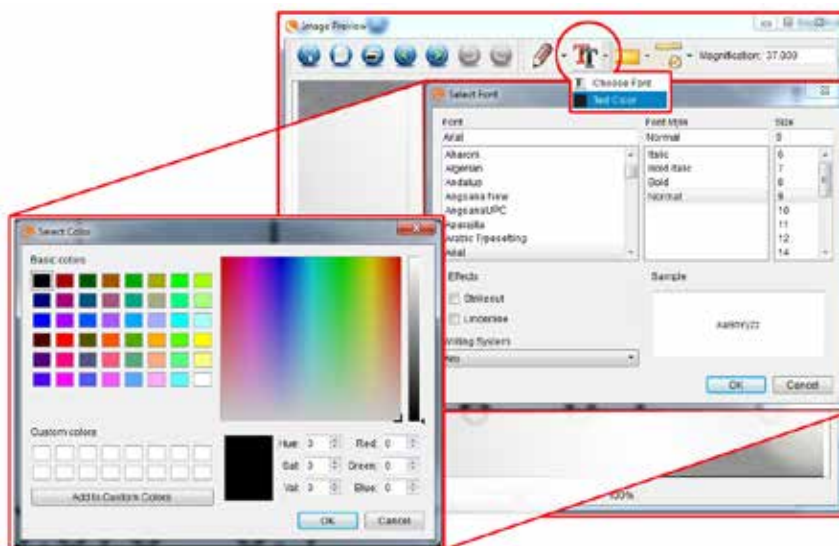
AJUSTES

1. Propiedades de línea: Cambia la configuración de tipo de línea, tamaño y color.

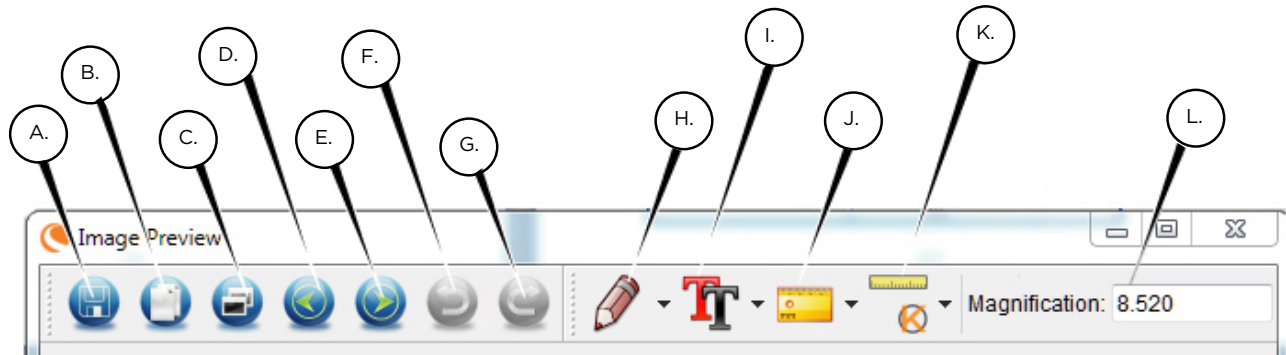


2. AÑADIR TEXTO

- + Para teclear notas en la imagen, seleccione el icono de texto .
- + En el menú desplegable puede elegir el tipo de fuente, el tamaño y el color.



F. ICONOS IMAGEN DE VISTA PREVIA EXPLICADO



- A. Guardar: Guarda el archivo
- B. Copiar: Copiar al portapapeles
- C. Copiar: Guardar como copia
- D. Anterior: Te lleva de nuevo a la imagen anterior de carpeta de almacenamiento
- E. Siguiente: Lo lleva hacia adelante a la siguiente imagen en la carpeta save
- F. Deshacer: Vuelve un paso
- G. Rehacer: Te lleva adelante un paso
- H. Dibujar
- I. Texto/Notas
- J. Medir
- K. Calibración
- L. Aumento actual (según la última calibración)

5. CUIDADOS Y MANTENIMIENTO

Su microscopio digital manual Pro de Celestron es un instrumento óptico de precisión y debe tratarse con cuidado en todo momento. Siga estas recomendaciones y su microscopio necesitará de muy poco mantenimiento durante su vida útil.

- + Guarde el microscopio en un lugar seco y limpio.
- + No use nunca el microscopio donde esté restringido el uso de este tipo de dispositivos. Un uso inadecuado crea riesgos de accidentes graves.
- + Use el microscopio exclusivamente en temperaturas entre 23° y 120° F (-5° y 50°C). Procure evitar los cambios súbitos de temperatura, ya que podría provocar humedad dentro del chasis del microscopio.
- + No intente acceder a los componentes internos de su microscopio ni intente modificarlo en modo alguno. El mantenimiento y las reparaciones deben ser realizados exclusivamente por técnicos autorizados.
- + Mantenga su microscopio alejado de agua y otros líquidos. No lo use nunca en la lluvia o la nieve. La humedad crea riesgos de incendio y electrocución.
- + Si la superficie exterior del microscopio necesita limpieza, límpiela con una gamuza humedecida.

6. GARANTÍA

Su microscopio digital manual Pro de Celestron tiene una garantía limitada por dos años. Visite el sitio web de Celestron para obtener información detallada de todos los microscopios Celestron.

celestron.com



©2018 Celestron • Todos los derechos reservados • celestron.com
2835 Columbia Street • Torrance, CA 90503 EE.UU.
Teléfono: 1(800) 421-9649 • Impreso en China 2018



Notas FCC: Este equipo ha sido probado y cumple con las limitaciones de los dispositivos digitales de Clase B, según el Apartado 15 de las normas FCC. Estas limitaciones se han diseñado para proporcionar una protección razonable contra interferencias dañinas en una instalación doméstica. Este equipo genera, utiliza y puede emitir energía de radiofrecuencia y, si no se instala y utiliza según las instrucciones, puede provocar interferencias dañinas a las comunicaciones por radio. Sin embargo, no existen garantías de que no se produzcan interferencias en una instalación concreta. Si este equipo crea interferencias perjudiciales para la recepción de radio o televisión, lo que puede determinarse apagando y encendiendo el equipo, se recomienda al usuario intentar corregir las interferencias con una o más de las medidas siguientes:

- + Reoriente o recolocque la antena receptora.
- + Conecte el equipo a una toma de corriente o circuito distinto de aquél al que esté conectado el receptor.
- + Aumente la separación entre el equipo y el receptor.
- + Consulte con el vendedor o un técnico de radio/TV experimentado para obtener ayuda.

Este producto está diseñado y pretendido para personas de 14 o más años de edad. El diseño y especificaciones están sujetas a cambios sin previo aviso. Revisión B.

MICROSCOPIO

Digitale Portatile **PRO**



MANUALE DI ISTRUZIONI

MODELLO N. 44308

1. INTRODUZIONE

Grazie per aver acquistato il Microscopio digitale portatile Pro Celestron con sensore da 5 MP e piedistallo professionale. Questo microscopio è uno strumento ottico di precisione prodotto con i migliori materiali, che gli assicurano una lunga durata. È progettato per garantire un piacevole utilizzo, esteso nel tempo e con una manutenzione minima.

Prima di iniziare a utilizzare il microscopio, leggere le istruzioni e utilizzare le figure illustrate a continuazione come riferimento. Familiarizzarsi con le molte funzioni del Microscopio digitale portatile Pro per trarne dall'utilizzo un'esperienza appagante richiede tempo.

Il Microscopio digitale portatile Pro ha una potenza di ingrandimento da 20x a 200x ed è collegabile a computer Macintosh o Windows mediante USB 2.0. (NOTA: a seconda delle dimensioni dello schermo, è possibile ottenere un ingrandimento fino a 800x.) Questo microscopio è un microscopio a ridotta capacità di ingrandimento, adatto soprattutto per esaminare campioni come monete, francobolli, rocce, componenti elettroniche, insetti e altri oggetti 3D. È possibile osservare anche campioni su vetrini, tuttavia questo microscopio non è ideale per tale scopo. Per microscopi biologici più adatti ad analisi di tal genere, visitare www.celestron.com.

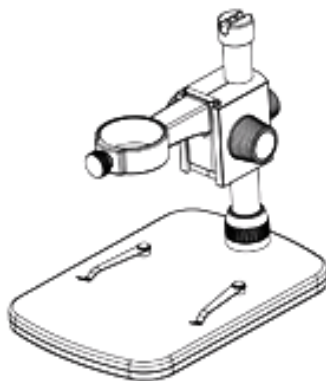
Il Microscopio digitale portatile Pro non utilizza un oculare come i microscopi tradizionali. Il sensore della fotocamera "vede" il campione con un ingrandimento di 10x e l'immagine viene riprodotta sullo schermo del computer. Ciò rende divertente la visualizzazione, eliminando sforzo visivo e tensione cervicale, e consente di condividere la visualizzazione con altre persone. È possibile tenere il microscopio in mano mentre si osservano ampie superficie in ambienti diversi dal normale laboratorio, oppure utilizzare il piedistallo professionale incluso nella confezione per analisi a mani libere più precise. Registrare immagini fisse e video è facilissimo. Grazie al software Celestron Micro Capture Pro, incluso nella confezione, si possono salvare, trasferire e condividere i file in modo semplice e veloce.

Per assicurare il funzionamento ottimale del Microscopio digitale portatile Pro durante un lungo periodo, dedicare qualche minuto alla lettura dei semplici consigli per la cura e la manutenzione dell'apparecchio contenuti nel presente manuale.

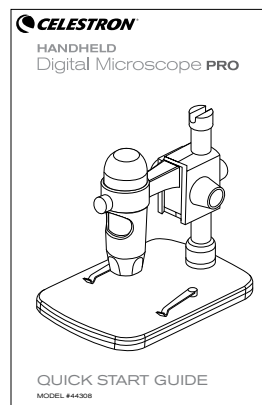
A. CONTENUTO DELLA CONFEZIONE



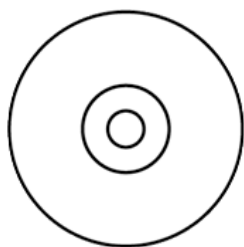
Microscopio (1)



Piedistallo professionale (1)



Guida rapida (1)



CD (1)

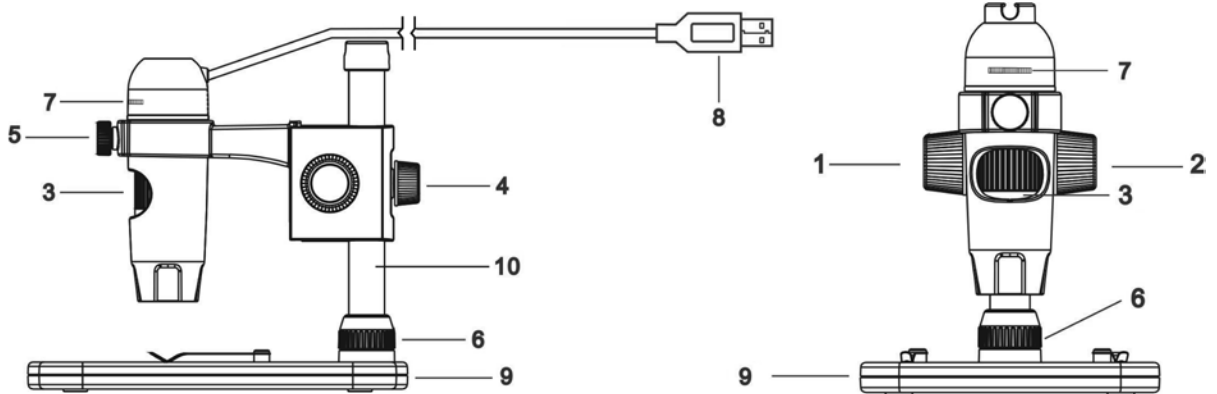
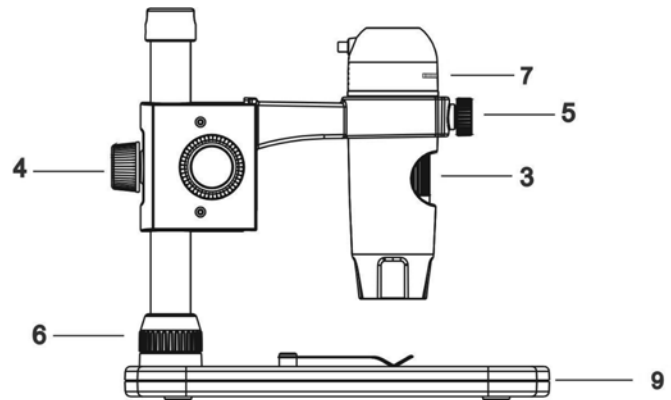


Righello di calibrazione (1)

B. PARTI

N. FUNZIONE

1.	Rotella di blocco
2.	Rotella di regolazione dell'altezza
3.	Rotella di messa a fuoco
4.	Rotella di blocco dell'altezza regolata
5.	Rotella di blocco della staffa di supporto del microscopio
6.	Anello di blocco del braccio di supporto
7.	Rotella di regolazione dell'illuminatore
8.	Connettore USB
9.	Base del piedistallo
10.	Braccio di supporto



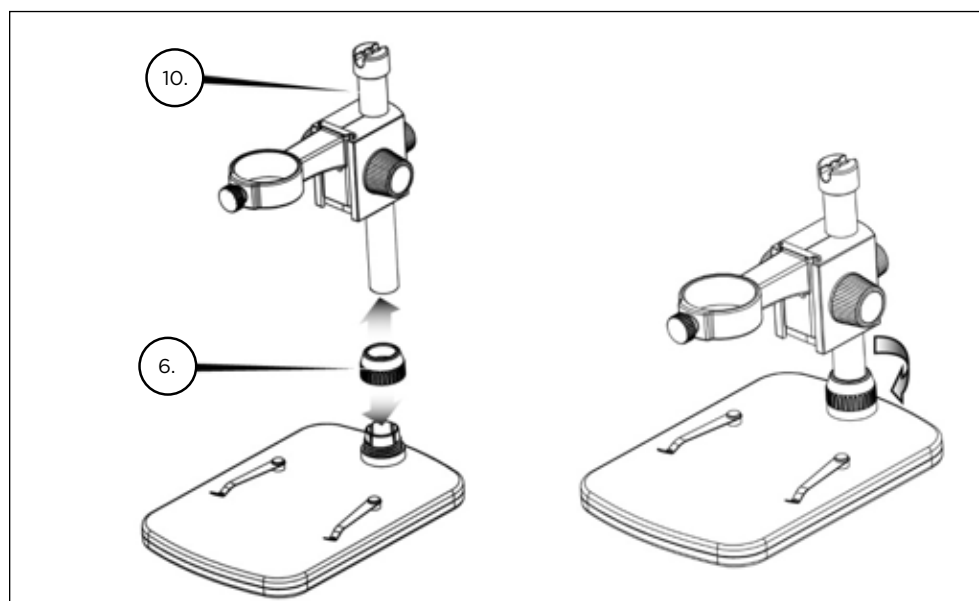
C. SPECIFICHE TECNICHE

ART.	44308
Sensore fotocamera	5 MP (megapixel)
Piedistallo	Piedistallo professionale con altezza regolabile
Lente	5 elementi IR cut, vetro di alta qualità, EFL (Lunghezza Focale Equivalente) 15,8 mm, FOV (Campo visivo) 13°
Intervallo di messa a fuoco	10 mm a infinito
Illuminatore	Anello superiore: 8 LED bianchi regolabili
Ingrandimento	Da 20x a 200x
Tasto otturatore	Nel software
Risoluzione immagini fisse	2592x1944 (5MP), 2320x1744 (4MP), 2048x1536 (3MP), 1920x1080 (2MP), 1280x1024 (1.3MP)
Risoluzione video	Min. 1280x1024 @15fps; Max. 2592x1944 @10fps
Interfaccia computer	USB 2.0
Software	Celestron Micro Capture Pro con funzioni di misurazione e annotazione
Sistemi operativi compatibili	Windows: Windows 7/8/10 Mac: OSX 10.12 (Sierra)
Lingue software	(12) Inglese, Tedesco, Francese, Spagnolo, Russo, Italiano, Portoghese, Olandese, Polacco, Giapponese, Coreano e Cinese
Requisiti minimi di sistema	RAM 512 MB/memoria video 64 MB/porta USB/unità CD-ROM
Dimensioni	Microscopio: 110x35 mm (4,33"x1,38") Piedistallo: 175x140x110mm (6,90"x5,51"x4,33")
Peso	907 g (2 libbre), piedistallo e confezione inclusi

2. PREPARAZIONE ALL'USO:

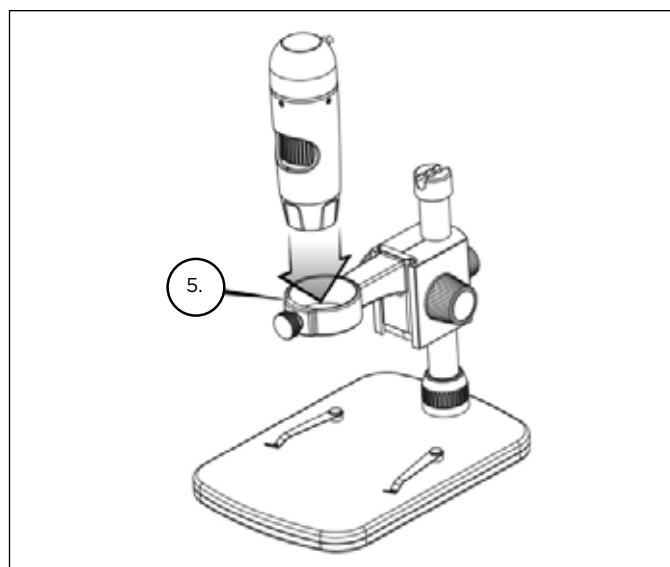
A. MONTAGGIO DEL PIADISTALLO

- + Estrarre il contenuto dalla confezione con cura.
- + Far scorrere l'anello di blocco del braccio di supporto (6) nel braccio di supporto (10).
- + Agganciare l'anello di blocco del braccio di supporto (6) alla base e serrare.



B. MONTAGGIO DEL MICROSCOPIO

- + Inserire il microscopio nella staffa di supporto del microscopio e serrare la rotella di blocco (5) per fissarlo in posizione.



C. INSTALLAZIONE DEL SOFTWARE - WINDOWS

- + Inserire il CD del software Micro Capture Pro nell'unità CD-ROM. Viene visualizzata la seguente interfaccia:
- + Fare clic sul pulsante "Install Capture Pro" (Installa Capture Pro) e seguire le indicazioni del Setup Wizard (Installazione guidata).

D. INSTALLAZIONE DEL SOFTWARE - MACINTOSH

- + Aprire la cartella MAC sul CD-ROM fornito e procedere all'installazione seguendo le indicazioni su schermo.
- + Per iniziare la registrazione video, fare clic sul menu Acquisizione e scorrere fino a Video. Ripetere la procedura per interrompere la registrazione.
- + Collegare il Microscopio digitale portatile Pro e avviare il software Celestron Micro Capture Pro. Il microscopio è quindi pronto per essere utilizzato.

NOTA: l'interfaccia del software è la stessa della versione del PC, ma ha un aspetto leggermente differente.



3. UTILIZZO DEL MICROSCOPIO

A. COLLEGAMENTO

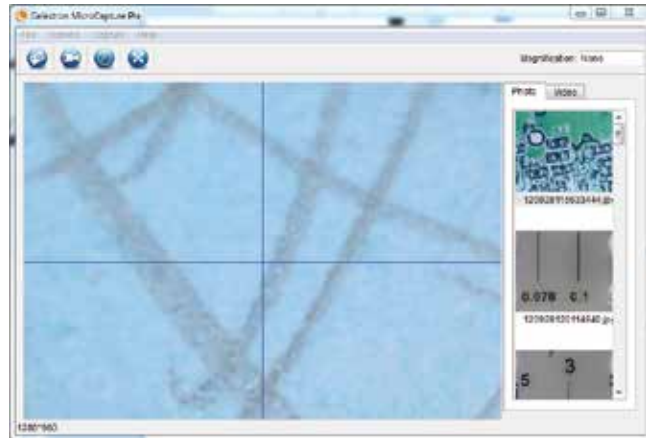
+ Collegare il microscopio a un computer mediante cavo USB 2.0.

+ Fare clic sull'icona Micro Capture Pro sul desktop per lanciare il software.

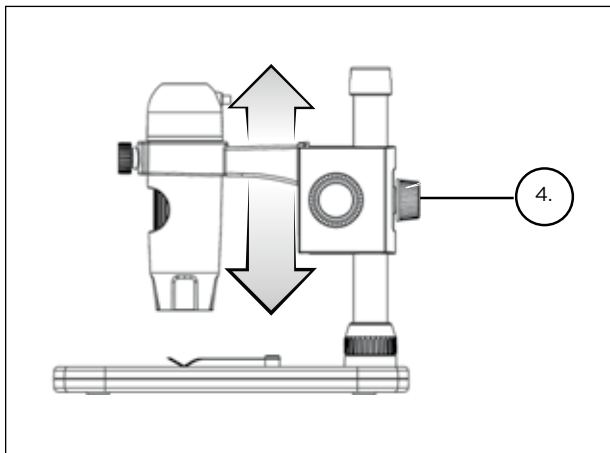


+ Il microscopio dovrebbe collegarsi in automatico e iniziare a visualizzare le immagini.

NOTA: Se il microscopio non è collegato alla porta USB, viene visualizzato il seguente messaggio di errore: "No device detected. Please connect your microscope directly to an open USB port" (Nessun dispositivo rilevato. Collegare il microscopio a una porta USB direttamente).



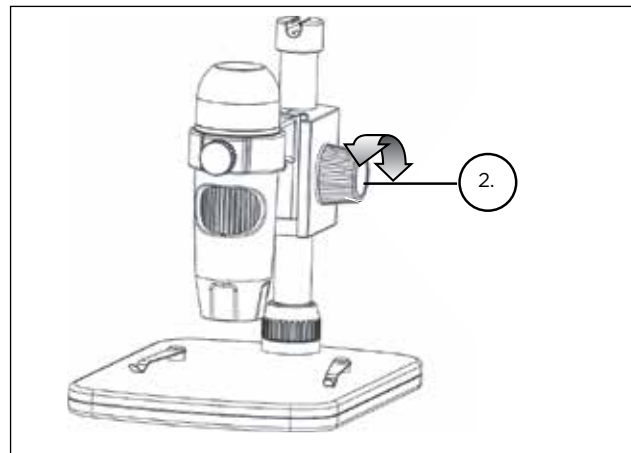
B. DI MESSA A FUOCO



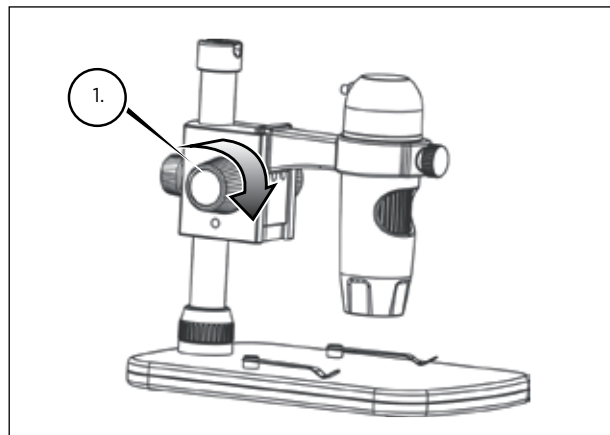
+ Per mettere a fuoco un'immagine utilizzando il piedistallo fornito:

+ Regolare l'altezza della staffa in cui è inserito il microscopio.

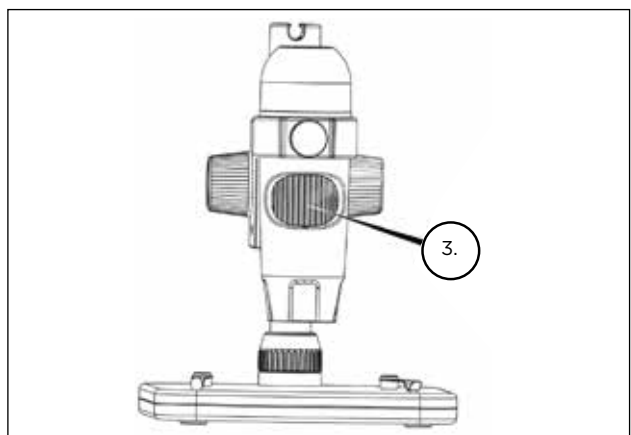
+ Serrare la rotella di blocco dell'altezza regolata (4) per bloccare la staffa in posizione.



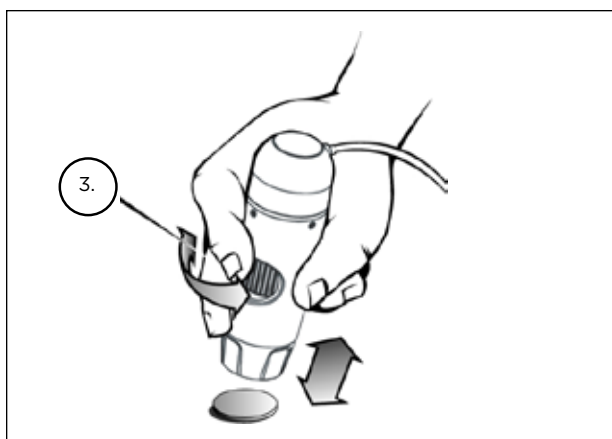
+ Ruotare la rotella di regolazione dell'altezza (2) per impostare una messa a fuoco approssimativa.



+ Una volta terminato, serrare la rotella di blocco (1), fissando la staffa in posizione.



+ Quindi ruotare la rotella di messa a fuoco (3) per affinare la messa a fuoco.



+ Quando si utilizza il microscopio in modalità portatile, regolare la messa a fuoco approssimativa modificando la distanza tra il microscopio e il soggetto. Quindi affinare la messa a fuoco utilizzando la rotella di messa a fuoco (3).

4. UTILIZZO DEL SOFTWARE:

A. ACQUISIZIONE DI FOTO/VIDEO

- + Per acquisire una foto, fare clic sul menu Capture (Acquisizione) e selezionare Photo (Foto).
- + Per avviare la registrazione di un video, fare clic sul menu Capture (Acquisizione) e selezionare Video. Per arrestare la registrazione selezionare di nuovo Video.



B. ALTRE VOCI DI MENU

FILE: Sotto la voce di menu File, troverete:

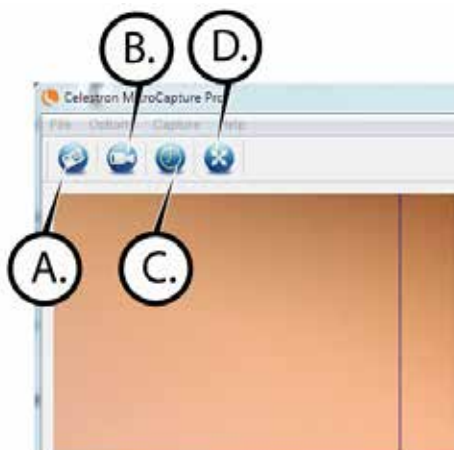
1. Photos Directory (Directory foto): consente di accedere a una specifica cartella sul disco fisso dedicata all'archiviazione delle foto.
2. Video Directory (Directory video): consente di accedere a una specifica cartella sul disco fisso dedicata all'archiviazione dei video.
3. Exit (Esci): consente di uscire dal software Micro Capture Pro.

OPZIONI: Sotto la voce di menu Opzioni, troverete:

1. Resolution (Risoluzione): Consente di impostare la risoluzione del sensore di immagine. È possibile scegliere tra 4 impostazioni:
 - 1280 x 960 (1,3 MP)
 - 1600 x 1200 (2 MP)
 - 2048 x 1536 (3 MP)
 - 2592 x 1944 (5 MP)
2. Date/Time (Data/Ora): Attiva o disattiva l'indicatore di data e ora.
3. Language (Lingua): Consente di modificare l'impostazione della lingua. È possibile scegliere tra 12 lingue:
 - Inglese, Tedesco, Francese, Spagnolo, Russo, Italiano, Portoghese, Olandese, Polacco, Giapponese, Coreano e Cinese.
4. X,Y Guide (Guida X,Y): Attiva o disattiva il reticolo guida sulla schermata di anteprima.
5. Fullscreen Mode (Modalità schermo intero): Consente di accedere alla modalità a schermo intero. Premere ESC per uscire dalla modalità.

ICONE: Insieme con le voci di menu, ci sono icone che hanno il seguente significato:

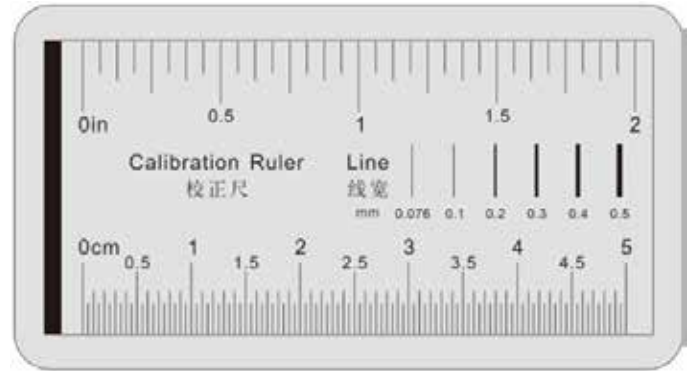
- A. Prendere Snap Shot
- B. Avvia video. Arresto video
- C. Imposta ora estinguersi Intervalli
- D. Modalità a tutto schermo (premere ESC per tornare alla schermata principale)



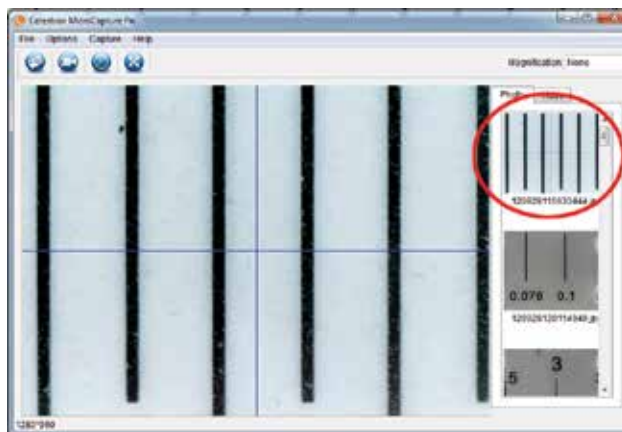
C. CALIBRAZIONE E MISURAZIONE



- + Il software Micro Capture Pro è provvisto di una funzione di misurazione. Per utilizzare questa funzione è necessario prima di tutto eseguire una calibrazione.
- + Assicurarsi che la voce X,Y Guide (Guida X,Y) nel menu Options (Opzioni) sia impostata su "On" (Attiva).



- + Regolare l'altezza del microscopio e la messa a fuoco sul campione. Quindi, sostituire il campione con il righello di calibrazione.
- + Regolare di nuovo la messa a fuoco e allineare il righello di calibrazione in modo che la scala graduata del righello sia parallela alla linea verticale sulla guida X,Y.

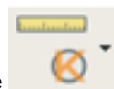


- + Acquisire un'immagine fissa. L'immagine viene visualizzata nella colonna sul lato destro dello schermo.



- + Fare doppio clic sull'immagine salvata per aprirla nella schermata Image Preview (Anteprima immagine).


- + Fare clic sull'icona di calibrazione



- + Fare clic e trascinare una linea lungo un "valore conosciuto" sull'immagine del righello. Cercare di mantenere la linea il più perpendicolare possibile rispetto alle linee sul righello.
- + La finestra "Adjust magnification" (Regola ingrandimento) compare come illustrato nella figura sottostante.
- + Inserire nella casella "Actual Dimension" (Dimensione effettiva) il "valore conosciuto" indicato sul righello di calibrazione.



+ Per assicurarsi che la calibrazione sia avvenuta correttamente, tornare alla schermata di acquisizione immagine.

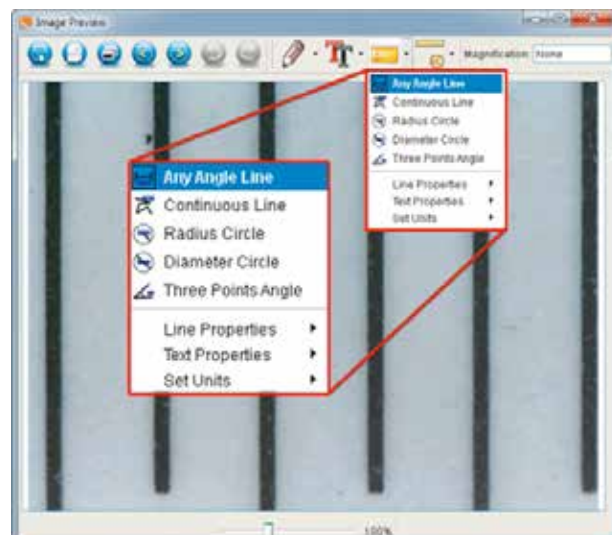
+ Fare clic sull'icona del righello  e dal menu a discesa selezionare l'opzione "Any Angle Line" (Qualsiasi angolo di una linea).

+ Fare clic e trascinare una linea come in precedenza lungo lo stesso "valore conosciuto".

+ Se la calibrazione è stata eseguita correttamente, la distanza misurata dovrebbe essere esatta al "valore noto".

+ Per acquisire immagini senza modificare l'altezza o l'ingrandimento, fare clic sull'icona di calibrazione. Dal menu a discesa, selezionare "Set Magnification" (Imposta ingrandimento), quindi selezionare "Set Capture Magnification" (Imposta ingrandimento dell'acquisizione).

+ Viene visualizzata una finestra a comparsa. Digitare un valore nella casella Magnification (Ingrandimento) nell'angolo superiore destro della finestra principale.



D. STRUMENTI DI MISURA

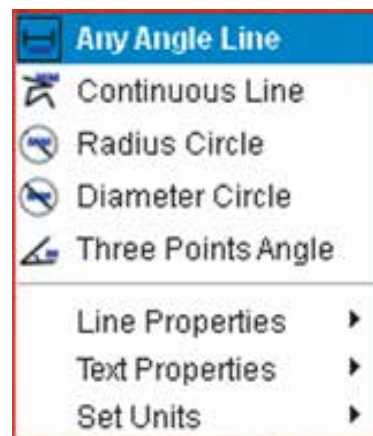
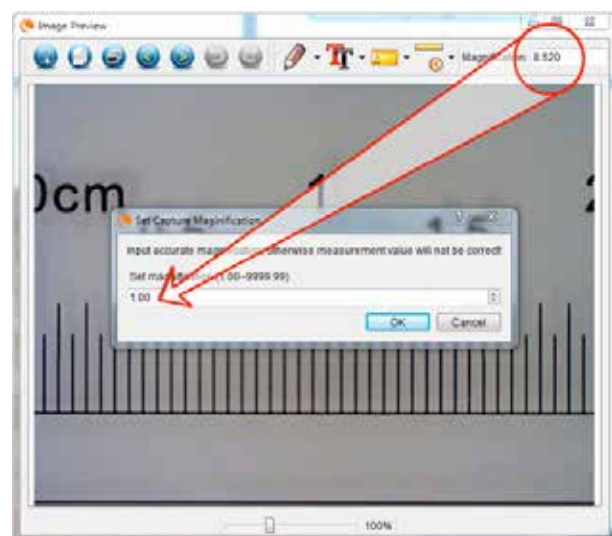
Si noterà nei menu a tendina di misura ci sono molti strumenti. Ecco l'elenco delle misure si può prendere:

PRINCIPALE

1. Any Angle (Qualsiasi angolo): misura da un punto A a un punto B in una linea retta.
2. Continuous Line (Linea continua): misura la distanza totale tra più punti. Iniziare misurando una linea retta da un punto A a un punto B, quindi fare clic e trascinare per continuare la misurazione da un punto B a un punto C (è possibile ripetere l'operazione quante volte si desidera).
3. Radius Circle (Raggio di un cerchio): misura il raggio di un cerchio. Iniziando dal centro, trascinare il cursore verso un punto qualsiasi del bordo.
4. Diameter Circle (Diametro di un cerchio): misura il diametro di un cerchio. Iniziando da un punto qualsiasi del bordo, trascinare il cursore verso un punto opposto del bordo.
5. Three Point Angle (Tre punti di un angolo): misura un angolo tra due punti, iniziando dal punto di un raggio o da un punto di intersezione. Fare clic su un punto A (punto di un raggio), trascinare e fare clic su un punto B, quindi fare clic su un punto C. Vengono visualizzati l'angolo e i suoi gradi.

IMPOSTAZIONI


1. Line Properties (Proprietà linea): consente di modificare le impostazioni per tipo di linea, larghezza, dimensione e colore.
2. Text Properties (Proprietà testo): consente di modificare le impostazioni per tipo di carattere, dimensione, stile e colore.
3. Set Units (Imposta unità): consente di modificare l'impostazione dell'unità di misura. È possibile selezionare tra millimetri, centimetri, pixel e pollici.



E. SCRIVERE ANNOTAZIONI E SEGNARE LE IMMAGINI

Micro Capture Pro include alcune funzioni che consentono di aggiungere delle note alle immagini salvate, segnarle o disegnarci sopra. Ciò può essere utile per scrivere annotazioni e effettuare segnalazioni direttamente sulle immagini in modo rapido.

1. MARCATURA

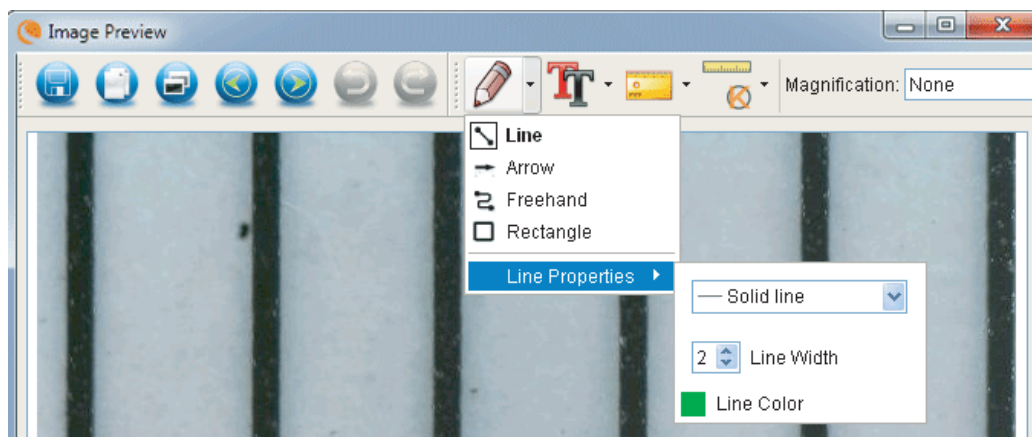
- + Per utilizzare tale funzione, fare clic sull'icona Draw (Disegna) (Anteprima immagine)  dalla finestra Image Preview
- + Le opzioni presenti nel menu a discesa di Draw (Disegna) sono:

PRINCIPALE


1. Line (Linea): consente di disegnare una linea retta sull'immagine.
2. Arrow (Freccia): consente di disegnare una linea con una freccia sull'immagine.
3. Freehand (Mano libera): consente di disegnare a mano libera. Utile per scrivere delle veloci annotazioni.
4. Rectangle (Rettangolo): consente di disegnare una casella. Utile per richiamare l'attenzione su alcuni aspetti dell'immagine o per incorniciare del testo.

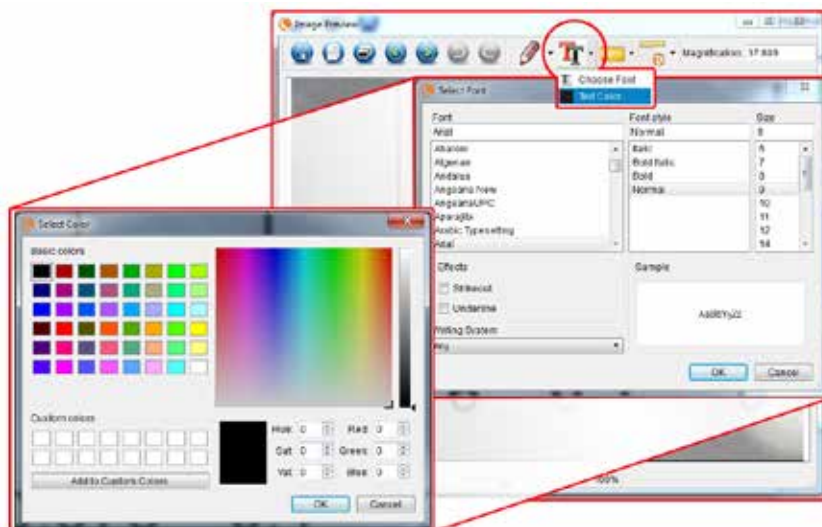
IMPOSTAZIONI

1. Line Properties (Proprietà linea): Consente di modificare le impostazioni per tipo di linea, dimensione e colore.

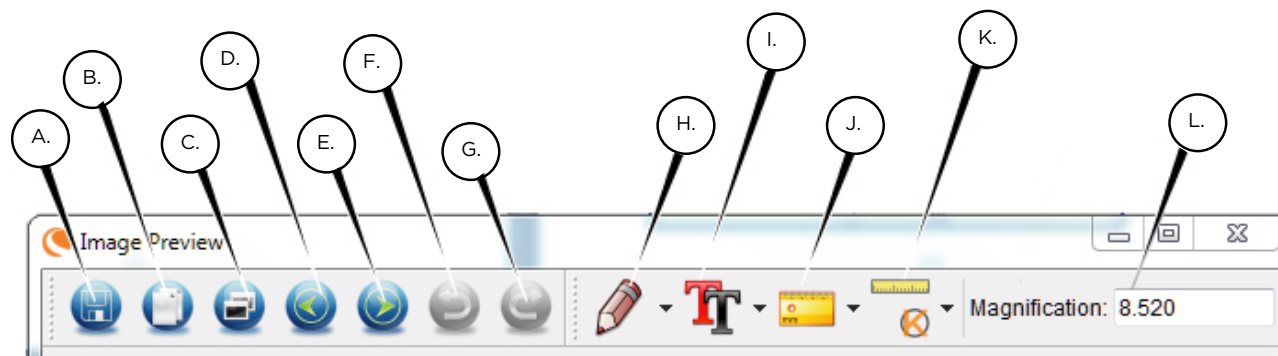


2. AGGIUNTA DI TESTO

- + Per inserire delle annotazioni sull'immagine, selezionare l'icona Type (Tipo) 
- + Dal menu a discesa è possibile selezionare tipo di carattere, dimensione e colore.



F. ICONE: ANTEPRIMA IMMAGINE SPIEGATO



- A. Salva: Salva il file
- B. Copia negli appunti: Copia di aprire in un altro programma
- C. Copia: Salva come copia
- D. Precedente: si torna all'immagine precedente nella cartella di salvataggio
- E. Successivo: Consente di accedere in avanti per l'immagine successiva nella cartella di salvataggio
- F. Annulla: consente di tornare un passo
- G. Ripeti: consente di accedere avanti di un passo
- H. Disegna
- I. Testo/Annotazioni
- J. Misura
- K. Calibrazione
- L. Ingrandimento corrente (basato sull'ultima calibrazione)

5. CURA E MANUTENZIONE

Il Microscopio digitale portatile Pro Celestron è uno strumento ottico di precisione e deve essere trattato sempre con cura. Seguendo i consigli di seguito elencati il microscopio richiederà una manutenzione minima lungo il suo ciclo di vita.

- + Riporre sempre il microscopio in un luogo pulito e asciutto.
- + Non utilizzare mai il microscopio in luoghi in cui l'uso ne è limitato. L'utilizzo improprio del microscopio può essere rischioso e causare incidenti.
- + Utilizzare il microscopio solo entro l'intervallo di temperatura compreso tra -5 e 50 °C (23 - 120 °F). Cercare di proteggere il microscopio da sbalzi di temperatura in quanto si può creare della condensa all'interno del microscopio.
- + Non tentare di smontare il microscopio o apportare modifiche allo stesso in alcun modo. Solo tecnici autorizzati possono eseguire interventi di manutenzione o riparazione.
- + Tenere il microscopio al riparo da acqua o altri liquidi. Non utilizzare il microscopio in presenza di pioggia o neve. La condensa può causare incendio o shock elettrico.
- + Se la superficie del microscopio necessita pulizia, utilizzare un panno umido.

6. GARANZIA

Il Microscopio digitale portatile Pro Celestron è coperto da due anni di garanzia limitata. Per informazioni dettagliate sulla gamma completa dei microscopi Celestron visitare il sito web Celestron.

celestron.com



©2018 Celestron • Tutti i diritti riservati. • celestron.com
2835 Columbia Street • Torrance, CA 90503 U.S.A.
Telefono: 1(800) 421-9649 • Stampato in Cina 2018



Nota FCC: La presente attrezzatura è stata testata ed è risultata conforme ai limiti per i dispositivi digitali di Classe B, ai sensi delle parte 15 delle Normative FCC. Tali limiti sono stati ideati per fornire un'adeguata protezione nei confronti di interferenze dannose in installazioni residenziali. La presente attrezzatura genera, utilizza e può irradiare energia a radio frequenza e, se non installata e utilizzata conformemente alle istruzioni, può causare interferenze dannose alle radiocomunicazioni. Tuttavia, non vi è alcuna garanzia che l'interferenza non si verificherà in una particolare installazione. In caso la presente attrezzatura causi interferenze dannose alla ricezione radio o televisiva, il che potrebbe essere determinato dall'accensione e spegnimento dell'attrezzatura, l'utente è incoraggiato a tentare di correggere l'interferenza mediante una o più delle misure seguenti:

- + Orientare o posizionare nuovamente l'antenna di ricezione.
- + Collegare l'attrezzatura a una presa su un circuito diverso da quello a cui è collegato il ricevitore.
- + Aumentare la distanza tra l'attrezzatura e il ricevitore.
- + Consultare il rivenditore o un tecnico radio/TV esperto per assistenza.

Il presente prodotto è progettato e destinato all'uso di persone di età pari o superiore ai 14 anni. Progettazione del prodotto e le specifiche sono soggette a modifiche senza preavviso. Revisione B.